

Epson Stylus® Pro 11880

PRINTER GUIDE

All rights reserved. No part of this publication may be reproduced, stored in a retrieval system, or transmitted in any form or by any means, electronic, mechanical, photocopying, recording, or otherwise, without the prior written permission of Seiko Epson Corporation. The information contained herein is designed only for use with these Epson printers. Epson is not responsible for any use of this information as applied to other printers.

Trademarks

Epson, Epson Stylus, Epson ESC/P, and MicroWeave are registered trademarks and Epson Exceed Your Vision is a trademark of Seiko Epson Corporation.

PhotoEnhance, and Epson UltraChrome K3 are trademarks; UltraSmooth is a registered trademark; and Epson Preferred and Epson Store are service marks of Epson America, Inc.

General Notice: Other product names used herein are for identification purposes only and may be trademarks of their respective owners. Epson disclaims any and all rights in those marks.

The contents of this manual are subject to change without notice.

The ENERGY STAR emblem does not represent EPA endorsement of any product or service.

Legal Notices

Neither Seiko Epson Corporation nor its affiliates shall be liable to the purchaser of this product or third parties for damages, losses, costs, or expenses incurred by purchaser or third parties as a result of: accident, misuse, or abuse of this product or unauthorized modifications, repairs, or alterations to this product, or (excluding the U.S.) failure to strictly comply with Seiko Epson Corporation's operating and maintenance instructions.

Seiko Epson Corporation shall not be liable for any damages or problems arising from the use of any options or any consumable products other than those designated as Original Epson Products or Epson Approved Products by Seiko Epson Corporation.



FCC Compliance Statement

For United States Users

This equipment has been tested and found to comply with the limits for a Class A digital device, pursuant to Part 15 of the FCC Rules. These limits are designed to provide reasonable protection against harmful interference when the equipment is operated in a commercial environment. This equipment generates, uses, and can radiate radio frequency energy and, if not installed and used in accordance with the instruction manual, may cause harmful interference to radio communications. Operation of this equipment in a residential area is likely to cause harmful interference, in which case the user will be required to correct the interference at his own expense.

This device complies with Part 15 of the FCC Rules. Operation is subject to the following two conditions:

- (1) this device may not cause harmful interference, and
- (2) this device must accept any interference received, including interference that may cause undesired operation.

WARNING

The connection of a non-shielded equipment interface cable to this equipment will invalidate the FCC Certification of this device and may cause interference levels which exceed the limits established by the FCC for this equipment. It is the responsibility of the user to obtain and use a shielded equipment interface cable with this device. If this equipment has more than one interface connector, do not leave cables connected to unused interfaces. Changes or modifications not expressly approved by the manufacturer could void the user's authority to operate the equipment.

For Canadian Users

This Class A digital apparatus complies with Canadian ICES-003.

Cet appareil numérique de la classe A est conforme à la norme NMB-003 du Canada.

WARNING

This is a Class A product. In a domestic environment this product may cause radio interference, in which case the user may be required to take adequate measures.

Contents

Introduction	9
Warnings, Cautions, Notes, and Tips	9
Options and Accessories	10
Where To Get Help	10
Macintosh System Requirements	11
Windows System Requirements	12
Important Safety Instructions	12
Ink Cartridge Safety Instructions	15
Printer Parts	16
Front	16
Back	16
Control Panel	17
LCD Display	17
1 Setting Up the Printer	19
Unpacking and Assembling the Printer	19
Unpacking and Assembling the Stand	20
Unpacking the Printer	22
Mounting the Printer on the Stand	23
Unpacking the Auto Take-Up Reel	25
Installing the Auto Take-up Reel	25
Installing the Take-up Reel Core and Paper Guides	29
Plugging in the Printer	31
Installing Ink	33
Connecting the Printer	35
Configuring the Network Interface	36
Installing the Software for Macintosh	37
Adding the Printer	39
Installing the Software for Windows	41
Updating Your Printer Firmware	43
Downloading the Firmware	43
Updating the Firmware	44
Configuring the Printer for Your Network	46

2 Handling Paper and Other Media	47
Selecting Media for Your Printer	47
Guidelines for Using Epson Media	48
Using Roll Paper	49
Roll Paper Guidelines	49
Selecting the Paper Type	50
Setting Up Automatic Media Tracking and Identification	51
Preparing the Spindle	53
Loading the Paper onto the Spindle	54
Placing the Paper in the Printer	55
Removing Paper from the Spindle	58
Cutting Paper Manually	60
Printing Trim Lines	61
Using the Auto Take-up Reel	62
Using Cut Sheet Paper	68
Loading Cut Sheets	69
Loading Small Cut Sheets or Fine Art Paper	71
Printing on Posterboard	72
Adjusting the Platen Gap for Thick or Thin Paper	74
Optimizing the Settings for Your Paper	75
Creating Custom Paper Configurations	75
Printing Your Paper Configurations	77
Selecting Paper Configurations	77
3 Printing with Epson Drivers for Macintosh ...	79
Choosing Page Setup Options	80
Choosing Basic Print Options	83
Selecting the Correct Media Type Setting	86
Choosing Printer Color Management Options	87
Choosing Paper Configuration Options	88
Choosing Roll Paper Options	90
Borderless Printing	91
Controlling Image Processing	93
Choosing Advanced Black and White Photo Settings	93
Creating a Custom Preset and Printing	96
Managing Print Jobs	97
Checking Ink Levels and the Maintenance Tank	98

4 Printing with Epson Drivers for Windows . . .	101
Choosing Basic Print Options	102
Selecting the Correct Media Type Setting	105
Choosing Printer Color Management Options	106
Choosing Roll Paper Options	108
Borderless Printing	110
Choosing Cut Sheet Paper Options	112
Choosing Page Layout Options	113
Choosing Paper Configuration Options	114
Choosing Advanced Black and White Photo Settings	115
Customizing the Printer Driver	117
Saving and Sharing Custom Driver Settings	117
Saving and Sharing Custom Media Settings	118
Editing Printer Driver Settings	120
Managing Print Jobs	121
Using the Progress Meter	121
Optimizing Print Speed	122
Setting Monitoring Preferences	123
5 Maintaining and Transporting the Printer . . .	125
Checking Printer Status	126
Printing Status Information	126
Viewing Status Information	127
Checking and Cleaning the Print Head	128
Running the Nozzle Check and Head Cleaning Utilities	128
Using the Control Panel Menu	130
Automatically Checking and Cleaning the Print Head	130
Running a Power Cleaning Cycle	131
Aligning the Print Head	132
Replacing Ink Cartridges	133
Changing the Date and Time	136
Using Maintenance Mode	137
Replacing the Paper Cutter Blade	138
Removing the Old Blade	138
Installing the New Cutter Blade	140
Replacing the Maintenance Tanks	141
Cleaning the Printer	144

Transporting or Storing the Printer	146
Preparing the Printer for Shipment	146
Moving the Printer on the Stand	148
Setting Up the Printer After Transportation	148
6 Solving Problems	149
Diagnosing Problems	149
Checking Error Messages and Lights	150
Improving Print Quality	155
Solving Operational Problems	159
Solving Miscellaneous Printing Problems	160
Solving Paper Problems	161
Clearing Paper Jams	162
Uninstalling and Reinstalling the Printer Driver	164
Macintosh	164
Windows	164
7 Specifications	165
Environmental	165
Electrical	165
Dimensions and Weight	165
Printer Interfaces	166
Safety Approvals	166
Media	166
Roll Paper	166
Cut Sheets	166
Printable Area	168
Ink Cartridges	168
Index	169

Introduction

This *Printer Guide* provides important information on setting up and using your printer, loading paper, using the Epson® printer drivers, and replacing ink cartridges. It also tells you how to maintain your printer to keep it working at its best, and provides troubleshooting tips in case you have a problem.

For additional information, see the following:

- The *Quick Reference Guide* provides a handy summary of procedures for daily use and printer maintenance—loading paper, replacing ink cartridges and other components, cleaning and aligning the print head, and using the printer’s menu system. Attach it to your printer for easy reference.
- The on-screen *Epson Network Guide* on your computer or the printer CD-ROM describes how to set up and configure the printer for use on a network.
- The on-screen *Epson SP 11880 User’s Guide* on your computer or the printer CD-ROM provides additional information about using the printer and Epson media. You can read the guide using Adobe® Reader.

Warnings, Cautions, Notes, and Tips

Please follow these guidelines as you use this book:

WARNINGS must be followed carefully to avoid bodily injury.

Cautions must be observed to avoid damage to your equipment.

Notes contain important information about your printer.

Tips contain additional hints on how to get the most out of your printer.

Tip: Check the Epson Pro Imaging website at www.proimaging.epson.com for accessories and options that are currently available.

Options and Accessories

Your Epson Stylus® Pro 11880 offers these optional upgrades and accessories:

Optional equipment

Option	Part number
Retractable Fabric-Based Media Bin	C12C890401
Replacement 64-inch Wide Take-up Reel Core	C64CORE
Additional Dual Tension Media Spindle—2-inch/3-inch	C12C811231
One-year Epson Preferred Plus Service and Support Plan	EPP1188B1
Two-year Epson Preferred Plus Service and Support Plan	EPP1188B2

In addition, you can order these user-replaceable items:

Consumables and user-replaceable parts

Part	Part number
Replacement Ink Maintenance Tank (see page 141)	C12C890191
Replacement Printer Cutter Blade (see page 138)	C12C815291
Ink Cartridges	See page 134 for a complete list.

You can purchase optional equipment and genuine Epson ink and paper from an Epson Professional Imaging authorized reseller. To find the nearest reseller, visit www.proimaging.epson.com (U.S. sales), www.epson.ca (Canadian sales), or call 800-GO-EPSON (800-463-7766). Or you can purchase online at www.proimaging.epson.com (U.S. sales) or www.epson.ca (Canadian sales).

Where To Get Help

Epson provides technical support and information on the installation, configuration, and operation of professional printing products through the Epson PreferredSM Limited Warranty Plan. Dial (888) 377-6611, 6 AM to 6 PM, Pacific Time, Monday through Friday. Days and hours of support are subject to change without notice.

Tip: If you experience difficulty with the toll-free line or your Unit ID number, call (562) 276-1305.

Before you call, make sure you have your Unit ID number, which is included with the Epson Preferred Limited Warranty Plan information that came with your printer. You'll also need your printer serial number.

Visit Epson's support website at epson.com/support and select your product for solutions to common problems. You can download drivers, firmware, and documentation, get FAQs and troubleshooting advice, or e-mail Epson with your questions.

Macintosh System Requirements

To use your printer in either a stand-alone or network environment, your Macintosh® system should meet these requirements:

- Mac OS® X 10.4.9 or higher, or 10.5 or higher
- PowerPC® G5, Intel®, or higher processor
- At least 1GB of RAM (2GB or more recommended)
- At least 30GB of free hard disk space for software and processing files
- Quad-speed (4×) or faster CD-ROM or DVD drive for installing the printer software
- For USB connection: a compliant USB Hi-Speed 2.0 port and a shielded USB “AB” cable from Series A (computer) to Series B (printer), up to 10 feet long
- For network connection: Ethernet-equipped Macintosh and a Category 6 compatible cable

Caution: Using an improperly shielded cable—especially a cable more than 10 feet long—may cause the printer to malfunction.

Note: USB 2.0 is required to run the printer at full speed.

Windows System Requirements

To use your printer in either a stand-alone or network environment, your system should include the requirements listed below:


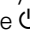

- IBM®-compatible PC with a Pentium® 4, 3 GHz or higher processor recommended
- Microsoft® Windows® XP, Windows XP Professional x64 Edition, Windows Vista™, or Windows Vista x64
- At least 1GB of RAM (2GB or more recommended)
- At least 30GB of free hard disk space for software and processing files
- Quad-speed (4×) CD-ROM or DVD drive for installing the printer software
- For USB connection: a Windows-compliant USB 2.0 port and a shielded USB “AB” cable from Series A (computer) to Series B (printer), up to 10 feet long
- For Ethernet connection: Ethernet equipped PC and a compatible Category 6 cable

Important Safety Instructions

Before using your printer, read the following safety instructions to make sure you use the equipment safely and effectively.

- The printer weighs about 331 lb without ink or paper. Make sure you have sufficient assistance when lifting it. (See page 23.)
- When setting up the printer, make sure you have enough space around it. You may need more space behind the printer if you print on large sheets of heavy stock or posterboard. (See page 22.)
- Place the printer on a flat, stable surface. The printer will not operate properly if it is tilted or at an angle.
- Avoid places subject to rapid changes in temperature and humidity. Also keep the printer away from direct sunlight, strong light, heat sources, or air conditioners.
- Avoid places subject to shocks and vibrations.

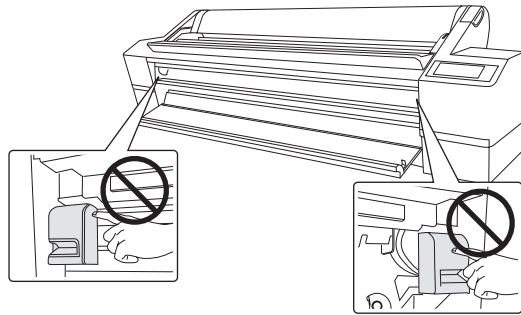
- Keep the printer away from dusty areas.
- Keep your entire computer system away from potential sources of electromagnetic interference, such as loudspeakers or the base units of cordless telephones.
- Place the printer near a wall outlet where the plug can be easily unplugged.
- Use only the type of power source indicated on the label.
- Connect the printer to a properly grounded outlet. Avoid using an outlet on the same circuit as a photocopier or air control system that regularly switches on and off.
- Avoid using electrical outlets controlled by wall switches or timers.
- Use only the power cord that comes with the printer. Use of another cord may result in fire or electric shock.
- The printer's power cord is designed for use with the printer only. Using it with other equipment may result in fire or electric shock.
- Do not use a damaged or frayed power cord.
- If you use an extension cord with the printer, make sure the total ampere rating of devices plugged into the extension cord does not exceed the cord's ampere rating. Also, make sure the total ampere rating of all devices plugged into the wall outlet does not exceed the wall outlet's ampere rating.
- Do not block or cover the openings in the printer's case.
- Do not put your hand inside the printer during printing.
- Do not move the print head by hand unless instructed to do so by an Epson service technician; otherwise you may damage the printer.
- Do not insert objects through the slots. Take care not to spill liquid on the printer.
- Do not attempt to service the printer yourself.

Caution: Always turn the printer off using the  Power button. When you press this button, the  Power light flashes briefly then goes off. Do not unplug the printer or turn off the power to the printer until the  Power light stops flashing. This ensures that the print head is safely capped.

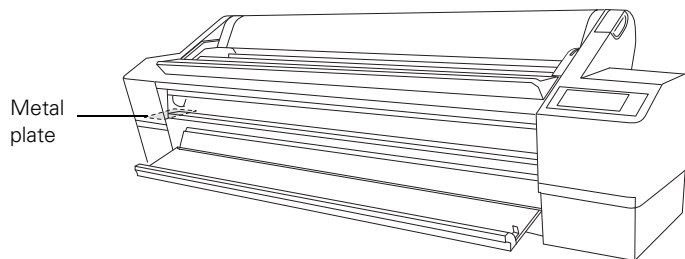
- Power down the printer from the control panel, unplug the printer, and refer servicing to qualified service personnel under the following conditions:

The power cord or plug is damaged; liquid has entered the printer; the printer has been dropped or the cabinet damaged; the printer does not operate normally or exhibits a distinct change in performance.

- The interface connectors and the connector for the Auto Take-up Reel are limited power source connectors.
- Do not touch the front cover sensors highlighted below.



- Do not touch the metal plate located in the upper left ink cartridge compartment.



For California customers only:

The lithium batteries in this product contain Perchlorate Material - special handling may apply, See www.dtsc.ca.gov/hazardouswaste/perchlorate.

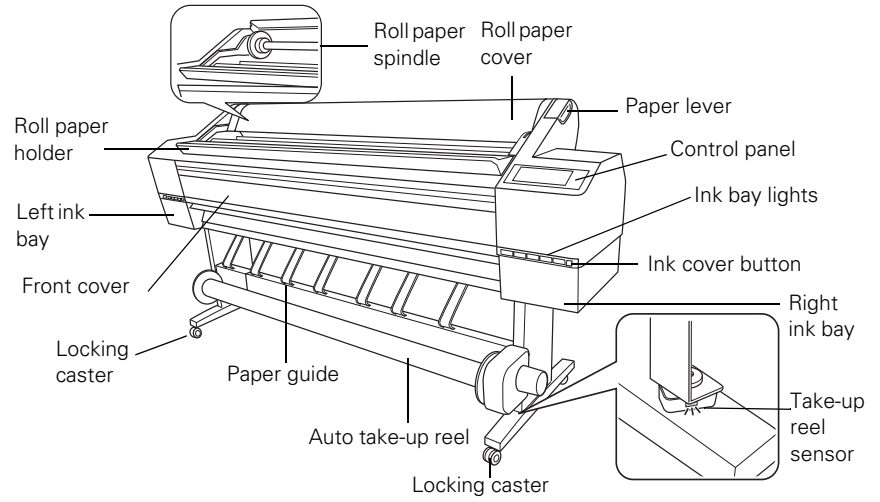
Ink Cartridge Safety Instructions

- Keep ink cartridges out of the reach of children and do not drink the ink.
- Store ink cartridges in a cool, dark place.
- If ink gets on your skin, wash it off with soap and water. If ink gets in your eyes, flush them immediately with water.
- Shake ink cartridges well before installing them for best results.
- Do not use an ink cartridge beyond the date printed on the cartridge carton.
- Use up the ink cartridge within six months of installation for best results.
- Do not dismantle ink cartridges or try to refill them. This could damage the print head.
- After bringing an ink cartridge inside from a cold storage site, allow it to warm up at room temperature for at least four hours before using it.
- The IC chip on the ink cartridge retains a variety of cartridge information, which allows you to remove and reinsert it freely. However, each time the cartridge is inserted, some ink is consumed because the printer automatically performs a reliability check.
- If you remove an ink cartridge for later use, protect the ink supply area from dirt and dust, and store it in the same environment as this product. Note that there is a valve in the ink supply port, making covers or plugs unnecessary, but care is needed to prevent ink from staining items that the cartridge touches.
- Do not touch the ink supply port, its surrounding area, or the green IC chip on the side of the ink cartridge. Doing so may affect normal operation and printing.

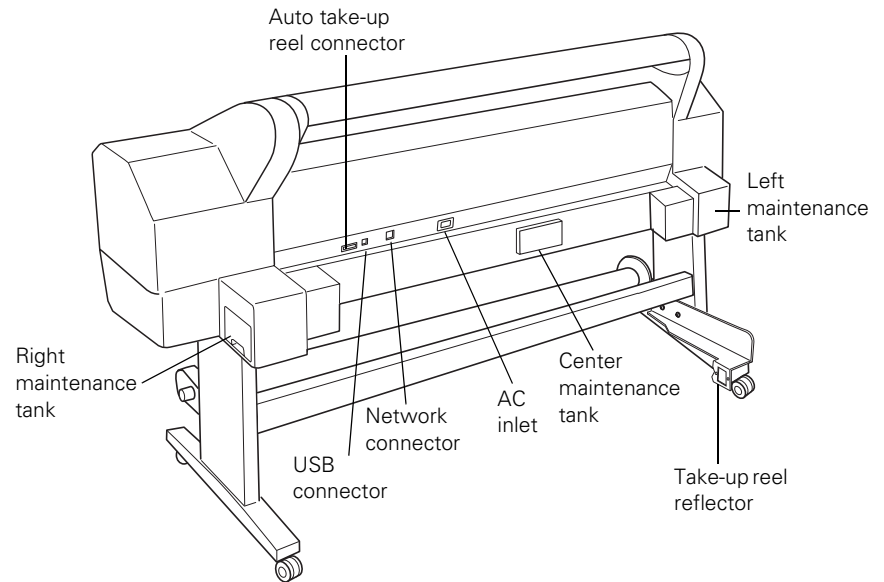
Caution: Do not use too much force when you shake cartridges that have been previously installed.

Printer Parts

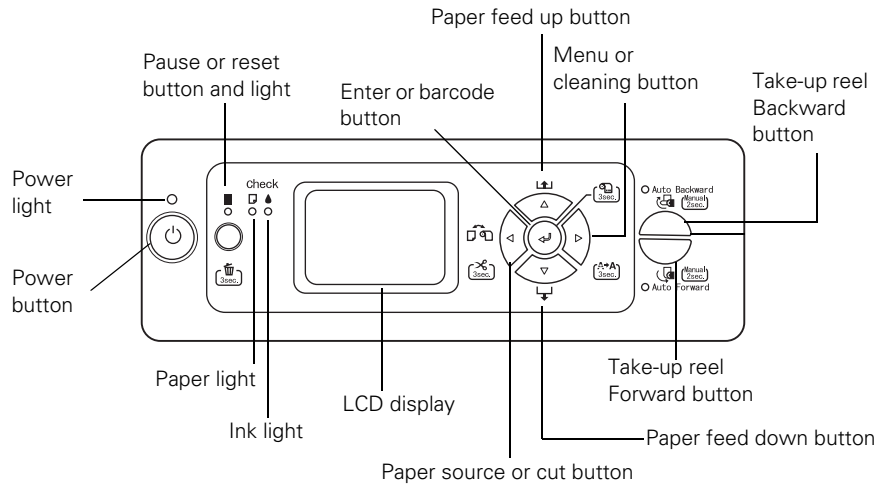
Front



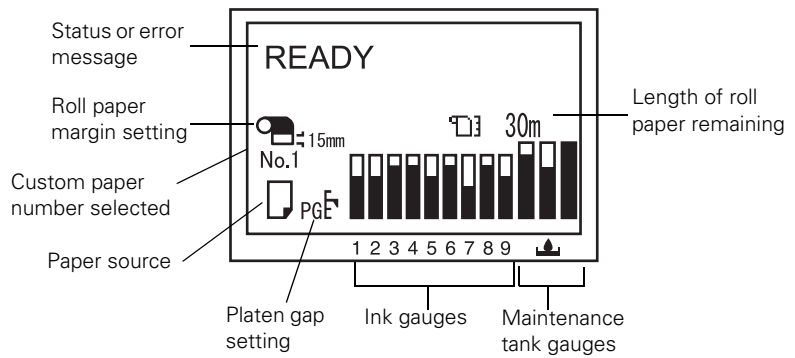
Back



Control Panel



LCD Display



Chapter 1: Setting Up the Printer

This chapter includes the following information:

- Unpacking and assembling the printer
- Connecting the power cord
- Installing ink
- Connecting to the network
- Installing the printer software
- Updating the printer firmware
- Configuring the printer for your network

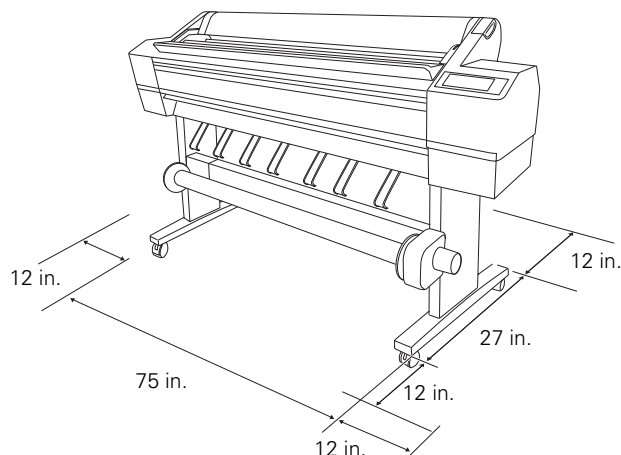
WARNING: Avoid locations that are subject to excessive heat, poor ventilation, or dust; otherwise, smoke or fire could result. Avoid locations in direct sunlight or near air conditioners. Do not block the ventilation openings. Do not place the printer on a carpet or rug, and do not cover the printer with any type of cloth when it is operating. Leave at least 12 inches between the back of the printer and the wall. Do not place the printer in an unstable location; bodily injury may occur if it falls.

Unpacking and Assembling the Printer

Follow these steps to assemble your printer and its stand. Before you begin, select an appropriate location to set up and use the printer.

- Choose a flat and stable location that can support the printer's weight (about 331 lb, without the stand).
- Operate the printer under the following conditions: 50 to 95 °F (10 to 35 °C), 20 to 80% relative humidity, without condensation. In addition, make sure the environmental conditions are appropriate for the media you are using.

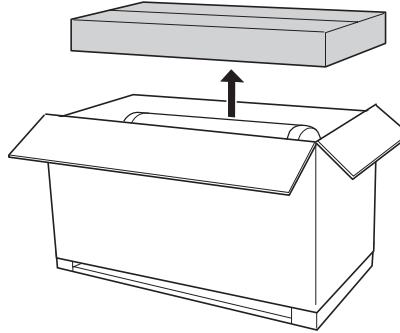
This illustration shows the minimum space required for using the printer:



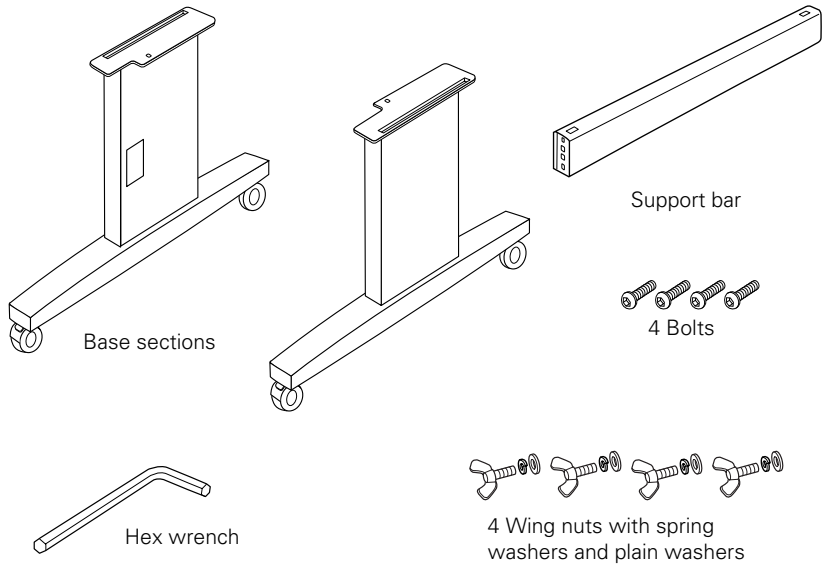
WARNING: Two people are required to unpack the printer, and four are needed to place it on the stand.

Unpacking and Assembling the Stand

1. Open the printer box and remove the box that contains the stand.

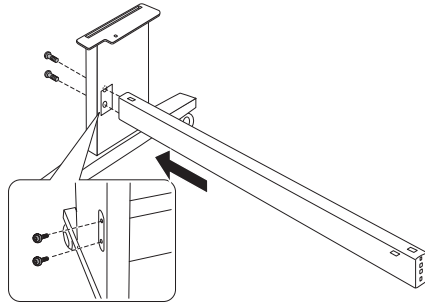


2. Unpack the stand and make sure you have all these items:

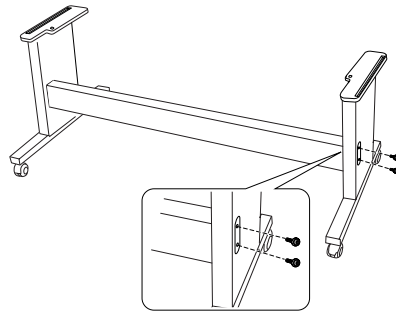


3. Insert the support bar into the left base section as shown. Then attach it with two bolts using the included wrench.

Leave the bolts a little loose, so that you can adjust the position when you insert the bolts at the other end.



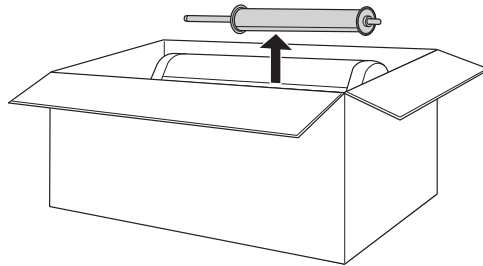
4. Attach the right base section to the other end.



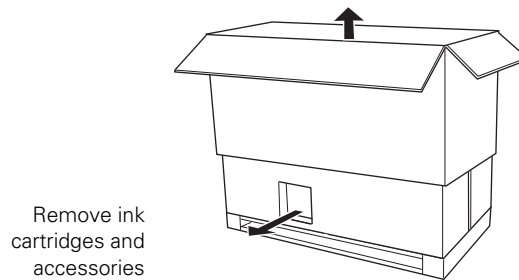
5. Tighten all four bolts securely.

Unpacking the Printer

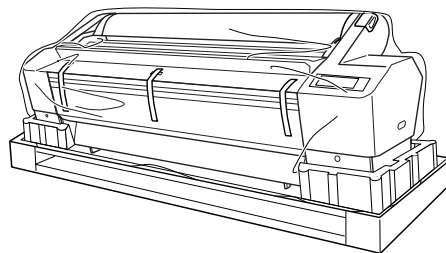
1. Open the box and remove the roll paper, spindle, polystyrene foam, and cardboard cushions.



2. Lift the box up and away from the printer. Remove the ink cartridges and other accessories from the side as shown below.

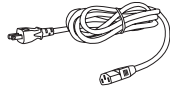


3. Remove the cardboard panels from around the printer.
4. Remove the plastic cover from the printer.

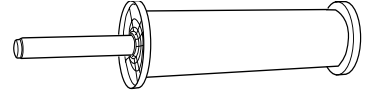


5. Make sure you have all the items shown below, in addition to the printer:

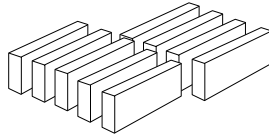
Note: The ink cartridges included with the printer are mainly for initial setup.



Power cord



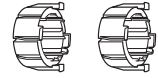
Roll paper and spindle



9 Ink cartridges



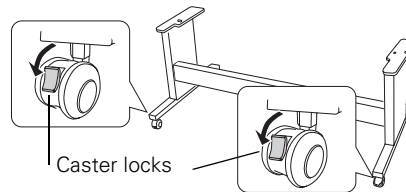
7 Paper guides



Spindle adapters

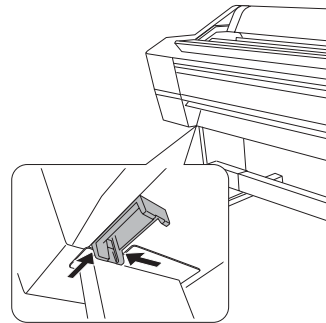
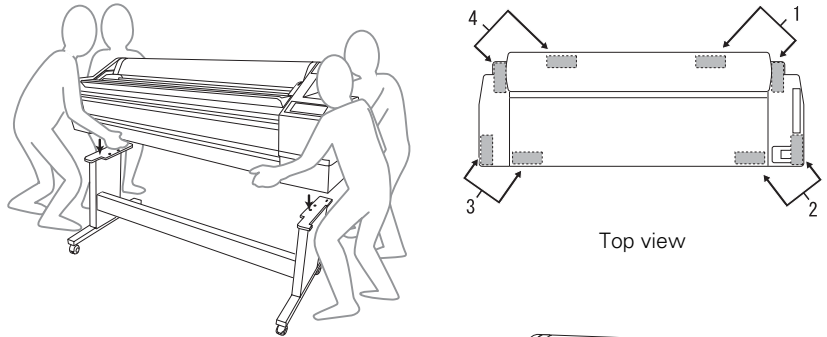
Mounting the Printer on the Stand

1. Turn the two front casters and push down the locks to keep the stand from rolling.

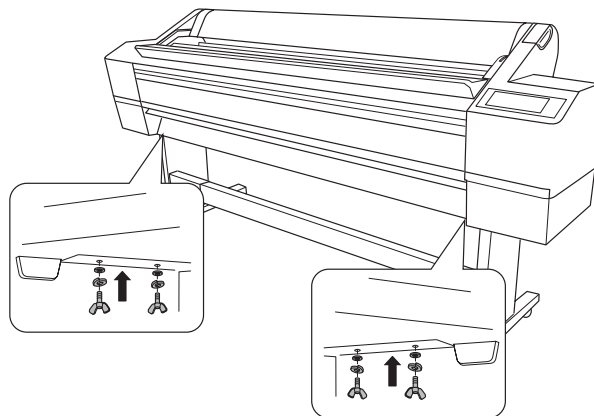


2. Position the stand in front of the printer. Using four people, grasp the printer in the four locations as shown, and set the printer on the stand:

WARNING: Do not attempt to lift the printer with fewer than four people.

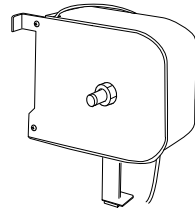


3. Fasten the printer to the stand with the wing nuts, spring washers, and plain washers.

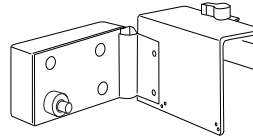


Unpacking the Auto Take-Up Reel

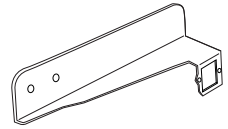
Make sure you have all the items shown below.



Drive unit



Movable unit



Reflector



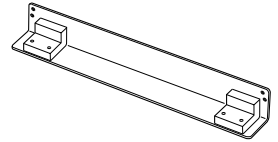
Right paper stop
(for drive unit)



Left paper stop
(for movable unit)



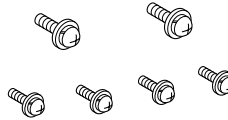
Drafting tape



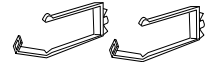
Movable unit stopper



64-inch wide 3-inch core



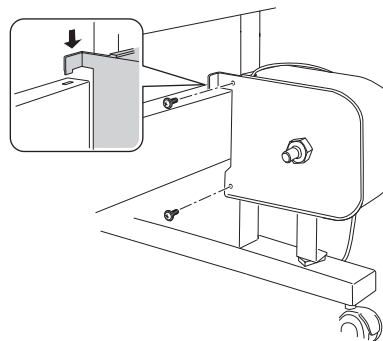
2 large screws,
4 small screws



2 cable clamps

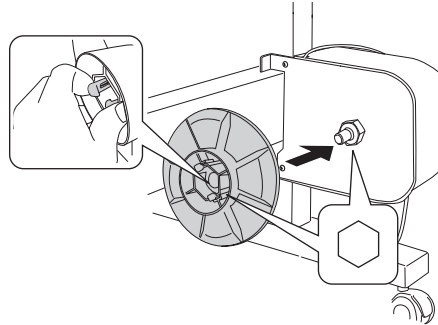
Installing the Auto Take-up Reel

1. Attach the drive unit to the right side of the support bar as shown below, and use the large screws to secure the drive unit.

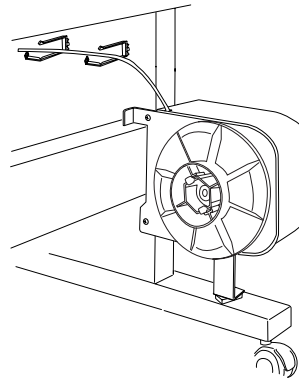


2. Attach the right paper stop (labeled *R*) to the drive unit by pinching the knob.

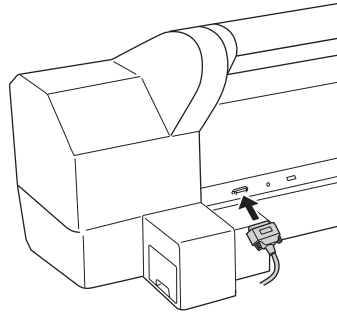
One side of the paper stop is for the 3-inch core, and the other side is for a 2-inch core. Select the appropriate side for the core you are using.



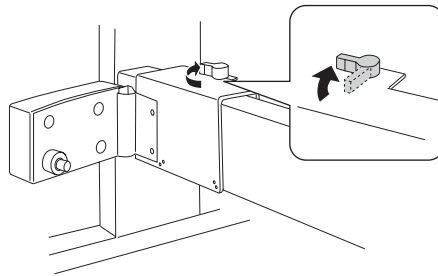
3. Attach the clamps to the stand, and route the cord through the clamps.



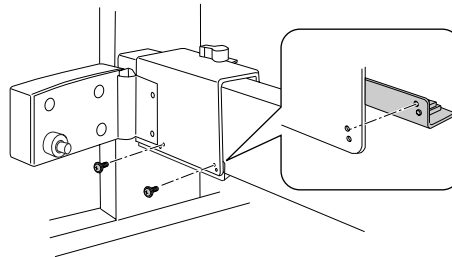
4. Plug the cable into the connector on the back of the printer as shown below, then tighten the screws on both sides of the connector.



5. Attach the movable unit to the left side of the support bar. Turn the lock lever to the left to release it.

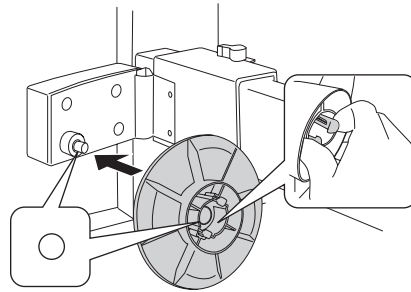


6. While holding the movable unit, attach the movable unit stopper as shown. Snap the two tabs on the stopper into the movable unit. Use the two screws to secure the movable unit to the support bar.

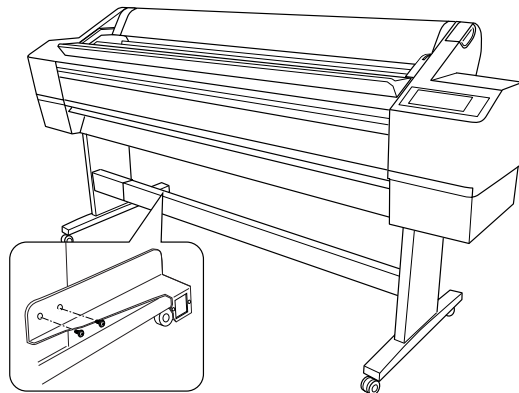


7. Attach the left paper stop (labeled *L*) to the movable unit by pinching the knob.

One side of the paper stop is for the 3-inch core, and the other side is for a 2-inch core. Select the appropriate side for the core you are using.

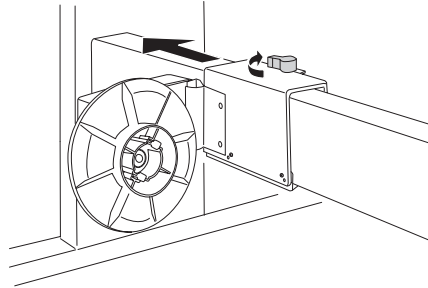


8. Attach the reflector to the left side of the stand, then tighten the two screws.

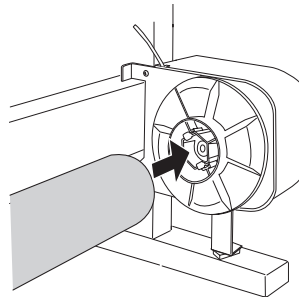


Installing the Take-up Reel Core and Paper Guides

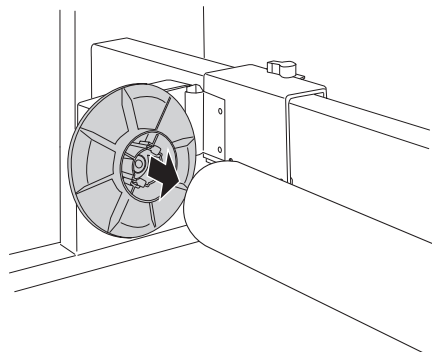
1. Make sure the lock lever is released (turned to the left). Slide the movable unit to the left end of the support bar.



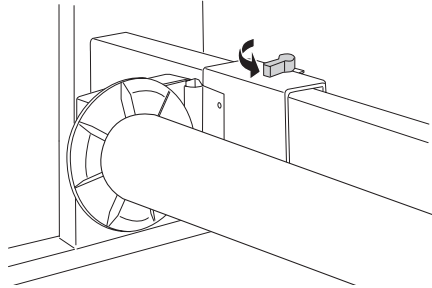
2. Slip one end of the core over the paper stop knob on the drive unit.



3. Insert the paper stop on the movable unit into the other end of the core.

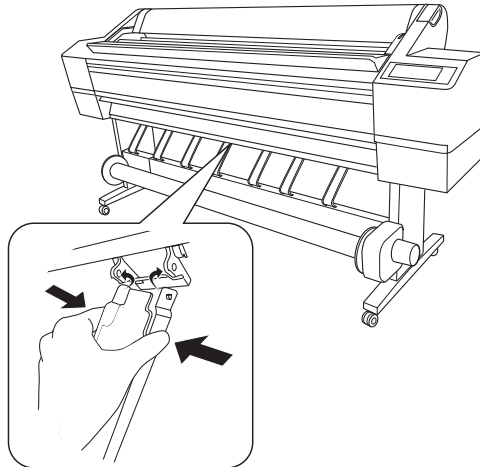


4. Make sure the core is attached securely at both ends. Then turn the lever to lock the movable unit as shown.



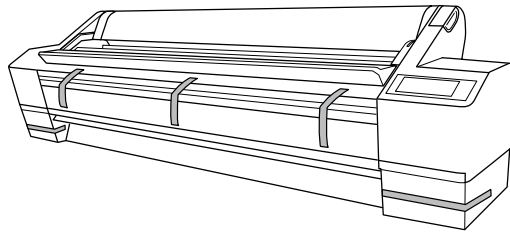
Tip: To ensure a good fit, you might want to stretch out the guides before squeezing them into place.

5. Attach the paper guides to the printer as shown.



Plugging in the Printer

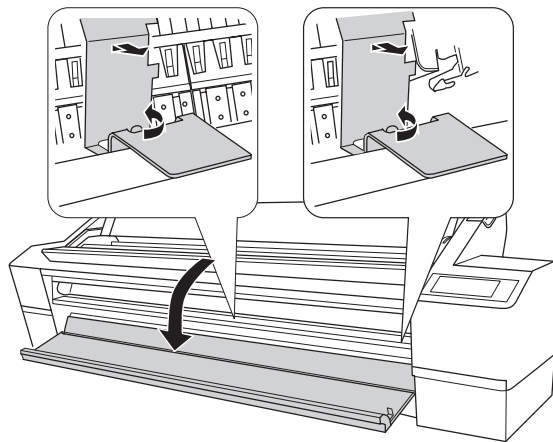
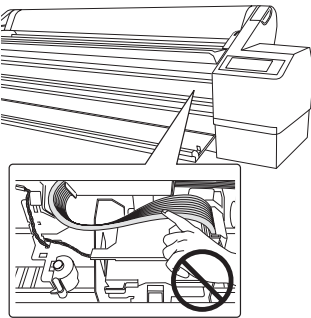
1. Unlock the front casters. Then move the printer to the place of use. (The casters are meant for moving the printer for only a short distance indoors.) Lock the casters after you move the printer.
2. Remove the tape from the printer and the protective materials inside the ink compartments.



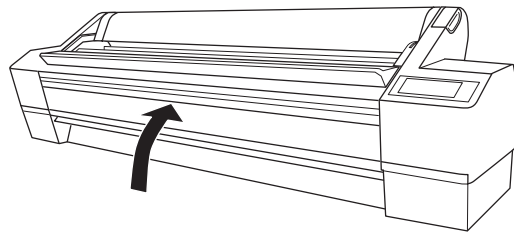
Caution: To avoid damaging the printer, be careful not to touch the cables around the print head.

3. Open the front cover. Loosen the bolts and remove the two metal brackets from the side of the print head compartment.

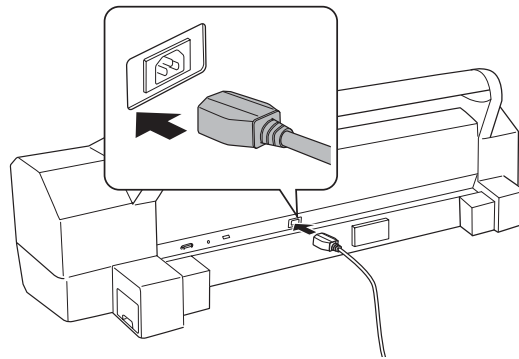
Save the bolts and brackets in case you need to ship the printer.



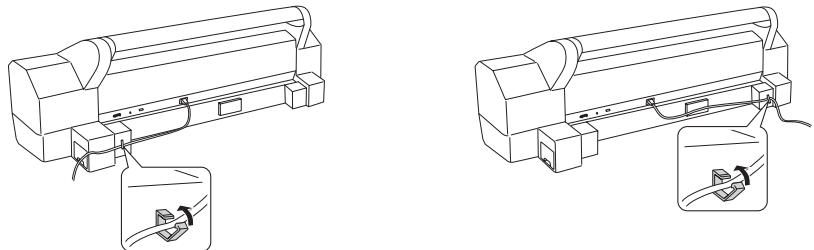
4. Close the front cover.



5. Connect the power cord to the AC inlet on the back of the printer.



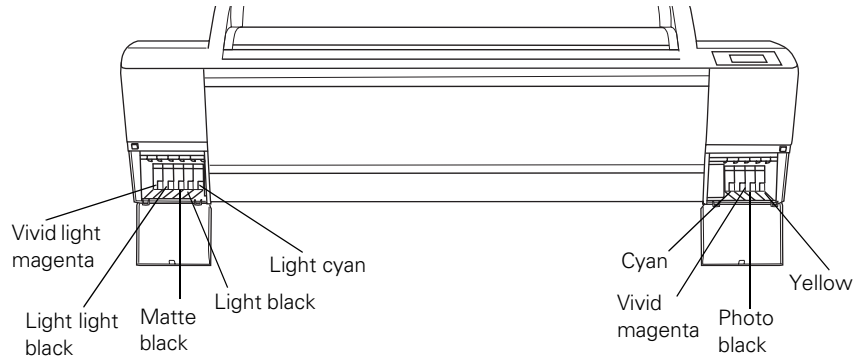
6. Route the power cord through one of the hooks on the left or right side as shown.



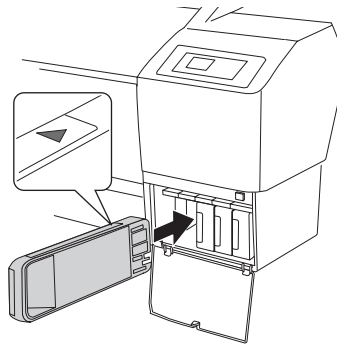
Caution: Do not use an outlet that is controlled by an automatic timer or wall switch. Otherwise, you may accidentally shut off the printer and cause damage.

7. Plug the power cord into a properly grounded electrical outlet.

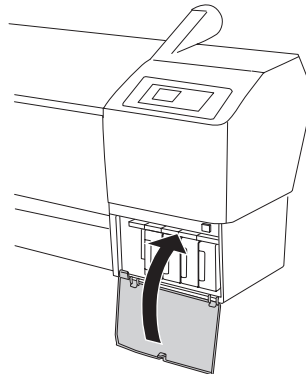
4. Note the location of the slots corresponding to each cartridge:




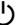
5. Hold each cartridge with the arrow pointing toward the printer, then insert it into its slot. Make sure you insert each cartridge in the correct slot.



6. After installing all 9 cartridges, close the ink compartment.



Caution: Charging takes about 10 minutes. Never turn off the printer, release the paper lever, open the ink compartment covers, or open the front cover while the  Power light is flashing, or you may damage the printer.

The printer begins charging the ink delivery system and the  Power light flashes.

7. After ink charging is completed, you need to load paper so that **READY** will appear on the LCD display. See Chapter 2 for instructions.

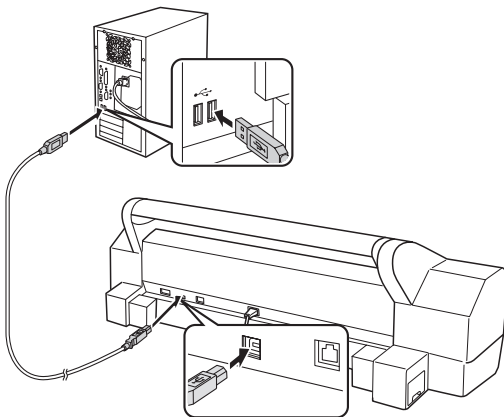
Connecting the Printer

You can connect the printer directly to a computer using a USB cable, or you can connect the printer to your network.

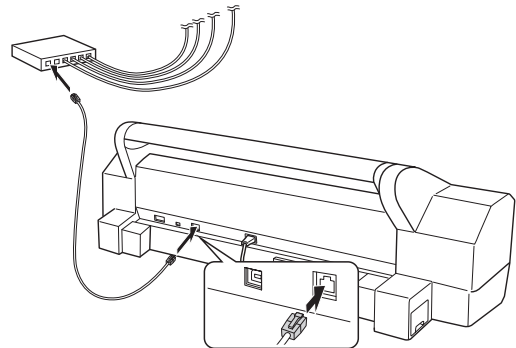
For network use, make sure you have the correct cable for connecting the printer. You need a Category 6 shielded twisted-pair cable.

To connect to a network hub, you need a standard RJ-45 “straight-through” network cable. To connect directly to your computer’s network interface, you need an RJ-45 crossover cable.

1. Make sure the printer is turned off.
2. Plug the interface cable into the appropriate port on the printer.



USB connection



Network connection

3. Plug the other end of the cable into the appropriate connector on your computer, or your network switch or hub.

Configuring the Network Interface

You can configure the network interface using the control panel, as described below, or using the EpsonNet Config utility, as described on page 46.

1. Make sure the printer is turned on.
2. Press the ► **Menu** button on the printer's control panel.
3. Press ▼ to highlight **NETWORK SETUP**, then press ►.
4. Press ► then ▼ to highlight **ENABLE**.
5. Press ↵. An asterisk appears next to **ENABLE** to show that it's selected.
6. Press ◀ then ▼ to highlight **IP ADDRESS SETTING**.
7. Press ► and then ▲ or ▼ to choose one of the following IP configuration settings:
 - **AUTO**: Select this setting if your network uses a DHCP server to configure your network devices' IP settings automatically.
 - **PANEL**: Select this setting if you would like to configure the printer's IP settings manually.
8. Press ↵. An asterisk appears next to the setting you selected.
9. Press ◀ to go back. Then do one of the following:
 - If you selected **AUTO** as the **IP ADDRESS SETTING**, press the ■ **Pause** button to exit the printer menu. Then continue with step 14.
 - If you selected **PANEL** as the **IP ADDRESS SETTING**, continue with step 10.
10. Press ▼ to highlight **IP, SM, DG SETTING**, then press ►. The LCD displays the IP address.
11. Press ▲ or ▼ to change each octet value, then press ► to select the next octet. When you have changed the value of the last octet, press ►. The LCD displays the subnet mask.

Note: If you don't know which setting to use, see your network administrator for help configuring the printer's IP settings.

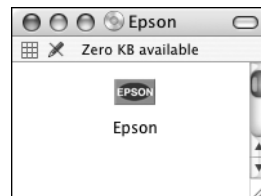
12. Press ▲ or ▼ to change each octet value, then press ► to select the next octet. When you have changed the value of the last octet, press ►. The LCD displays the default gateway.
13. Press ▲ or ▼ to change each octet value, then press ► to select the next octet. When you have changed the value of the last octet, press ⏪, then press the ■ Pause button to exit the printer menu.
14. Turn the printer off then back on again.

Installing the Software for Macintosh

Note: You can check for a newer version of your printer driver on the Epson support site at epson.com/support.

Follow the steps below to install the software on a Macintosh. For Windows, see page 41.

1. Turn on your Macintosh and the printer.
2. Insert the printer software CD-ROM.
3. Double-click the **Epson** installer icon.



4. Read the software license agreement and click **Agree**.

You see the Epson Software Installation screen.



Note: If you see a message that the installer has detected an older version of EpsonNet Config on your system, you must uninstall the older version before you can install the new one. To uninstall, drag the EpsonNet folder to the trash. Then reinstall your printer software.

5. Click the **Install** button.
6. Follow the on-screen instructions to install the software and manuals, register your printer, and place a link to the Epson Professional Imaging website on your desktop.
7. When you see the prompt, click **Restart**.

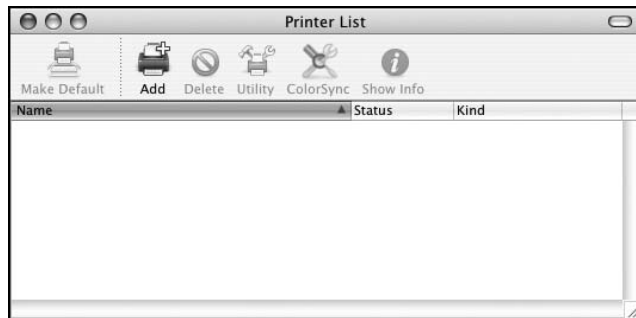
Remove the printer software CD-ROM and follow the instructions for adding the printer on page 39.

Adding the Printer

1. Open the Applications folder, then open the Utilities folder and start the Printer Setup Utility.
2. If you see a message like this, click **Add**, then skip to step 4.



3. Click the **Add** icon at the top of the Printer List window.



You see your printer in the Printer Browser:

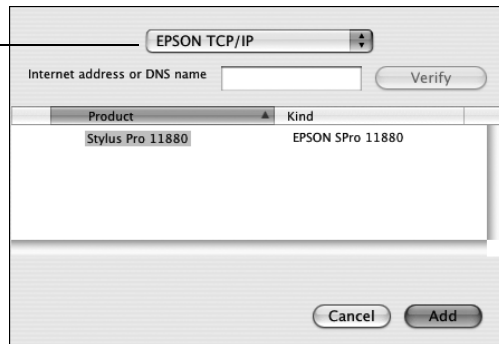
Tip: If you want to rename the printer for easier identification, enter a new name for it in the Name field on this screen.



You may need to scroll down this list to find the correct printer

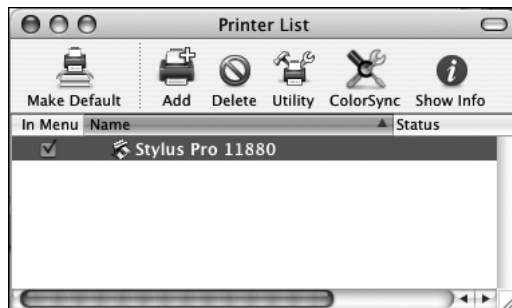
For network connection, click **More Printers**, and select a connection, such as **EPSON TCP/IP**. Select your printer from the list, and then click **Add**.

If the printer does not appear, enter its IP address here



4. Select your printer, then wait while your Macintosh finds the driver and the Add button becomes available. Then click **Add**.

You see your printer in the Printer List.



5. Close the Printer Setup utility. Go to page 43 to update your printer firmware, if necessary.

Installing the Software for Windows

For Windows, you need to add the printer's network port, then install the software. For instructions on adding the network port, see the *Network Guide* on the printer CD or on your computer.

Follow these steps to install the printer software.

1. Insert the printer software CD-ROM in your computer.

With Windows Vista, when you see the User Account Control screen, click **Continue**.

2. Read the software license agreement and click **Agree**.

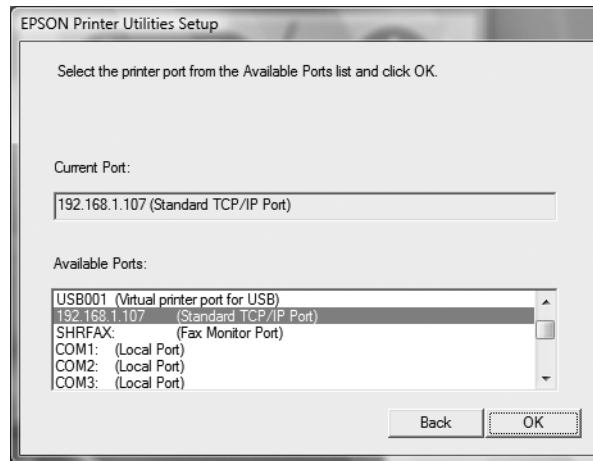
You see the Epson Software Installation screen:



3. Click the **Install** button and follow the on-screen instructions to install the software and manuals and place a link to the Epson Professional Imaging website on your desktop.
4. When you see a screen like this one, click the **Manual** button.



5. Select the port you created for the printer, then click OK.



Note: If the installer detects an older version of EpsonNet Config on your system, the older version will be uninstalled before the new version is installed.

6. Follow the instructions to finish installing the printer software and register your printer.
7. Close the installer, then remove the CD-ROM. Go to the next section to update the printer firmware, if necessary.

Updating Your Printer Firmware

To keep your printer features and functionality up to date, you should check for a newer version of firmware on the Epson support site and update your printer, if necessary.

Downloading the Firmware

1. Visit Epson's support website at epson.com/support and select your product.
2. Click **Drivers and Downloads**.
3. Choose the version for Macintosh or Windows and follow the instructions on the screen.

You may also need to download the latest version of the Epson LFP Remote Panel utility.

4. Continue with the instructions in the next section to upgrade the firmware.

Note: Although the illustrations in this section show Windows screens, the procedure is the same for Macintosh.

Updating the Firmware

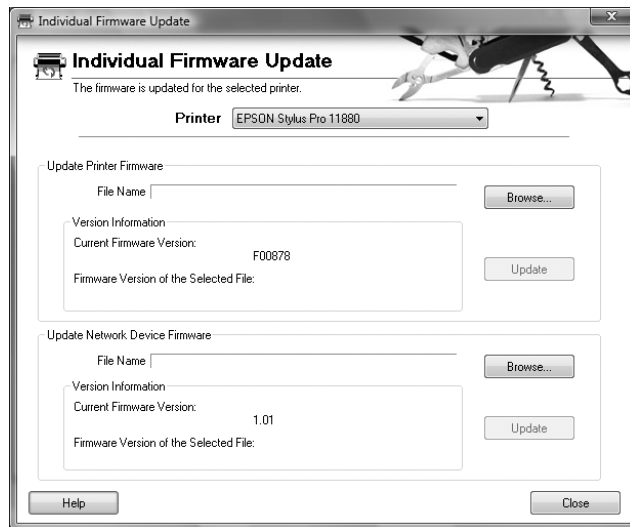
1. Double-click the firmware file to extract it.
2. Click the EPSON LFP Remote Panel icon on your desktop. You see the LFP Remote Panel. Make sure your printer is selected.



Note: For more information on using the Epson LFP Remote Panel, click **Help** to see the electronic guide.

3. Click the Firmware Updater button.
4. Click one of the Update buttons.

You see the Firmware Updater window.



Caution: Don't turn off the printer while the firmware is updating.

Note: After you install the software, you need to load paper and print a test image. If the print quality is satisfactory, your setup is done. If not, you may need to align the print head, as described on page 132.

5. Make sure your printer is on, its LCD displays **Ready**, and it is connected to your computer or network, then choose your printer.
6. Click **Browse** and find the firmware file that you just downloaded and extracted. Select the file and click **Choose**.
7. If the firmware version of the file is newer, click **Update** to start the firmware updating process. (If it is the same, you don't need to update.)
8. When the update is complete, close the Firmware Updater window and Epson LFP Remote window.

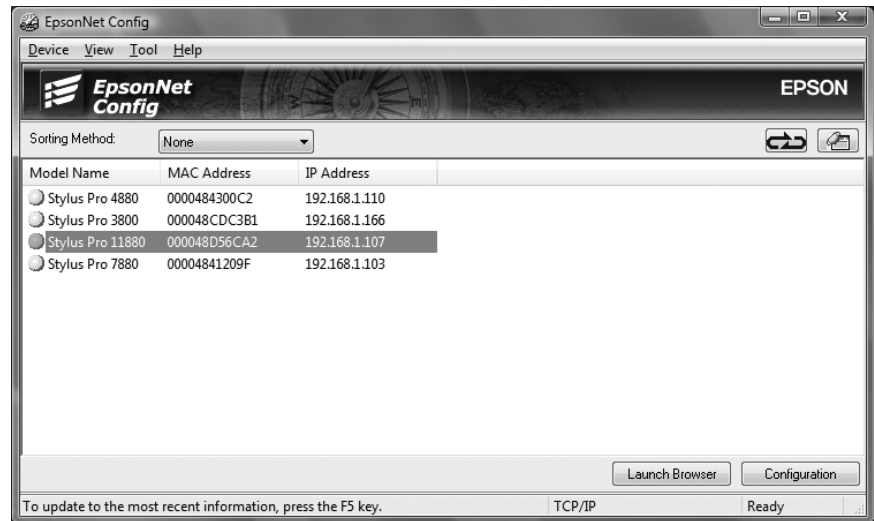
If you have not already done so, follow the instructions in the next section to configure the printer for your network.

Configuring the Printer for Your Network

If you have not already configured the printer using the control panel (or if you need to change its configuration), you can use EpsonNet Config.

1. Turn on the printer.
2. Start EpsonNet Config.

The EpsonNet Config program searches for all Epson printers on the network and displays the MAC address for each printer that it finds, for example:



3. Highlight the printer that you want to configure and click **Configuration** to access the TCP/IP selection screen.
4. If necessary, contact your network administrator for instructions on assigning an appropriate IP address.

For more information, see the *Epson Network Guide* on your computer or on the printer CD-ROM.

Chapter 2: Handling Paper and Other Media

The Epson Stylus Pro 11880 prints on a variety of media, including roll paper and sheets up to 64 inches wide. You can also use heavy stock, such as posterboard up to 59 mil (1.5 mm) thick.

This chapter includes the following information:

- Selecting media for your printer
- Using roll paper
- Using the auto take-up reel
- Using cut sheet paper
- Optimizing the settings for your paper

Selecting Media for Your Printer

Epson offers a variety of coated, glossy, matte, and fine art paper, as well as other media, for your printer.

The following table shows the paper sizes you can use:

	Roll paper	Cut sheets
	16 to 64.0 in. wide (406 to 1626 mm)	Letter size up to 64 in. wide
Maximum external roll diameter	2 in. core: 4 in. (103 mm) 3 in. core: 6 in. (150 mm)	—
Thickness	3.15 to 19.7 mil (0.8 to 0.5 mm)	3.15 to 59 mil (0.8 to 1.5 mm)

Always test samples of paper stock in the printer before purchasing large quantities or printing large jobs. If you use non-Epson paper or other media, you may need to adjust various settings and create special paper configurations. See page 75 for instructions.

Note: You can purchase additional roll paper spindles and other accessories or options from the Epson Pro Imaging website (www.proimaging.epson.com) or your Epson Professional Imaging authorized reseller.

Guidelines for Using Epson Media

Follow these guidelines, as well as those included in your paper package, when printing on Epson paper and other media:


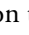

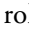
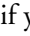
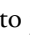
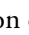
- Avoid touching the printable surface with your bare hands. Fingerprints may affect print quality. Handle media by the edges or use cotton gloves.
- Be careful not to bend or scratch the paper.
- Make sure you maintain a temperature of 59 to 77 °F (15 to 25 °C), with 40 to 60% relative humidity. Avoid rapid changes in temperature and humidity.
- Always choose the correct Media Type setting in your printer driver software before you send your job. See page 86 (Mac OS X) or page 105 (Windows) for instructions.
- Always select the correct paper source (roll or sheet) in both the printer driver software and on the printer's control panel. See page 81 (Mac OS X) or page 112 (Windows) for instructions on selecting the paper source in your printer software.
- Keep unused media in its original packaging and store it in a cool, dry place to maintain quality. Avoid storing your printouts where they will be exposed to high temperature, humidity, or direct sunlight.
- Do not use a dryer to dry your prints.
- Load the media just before printing. When you're finished printing, remove the media from the printer and store it according to the instructions included with the media.
- Store sheet media in the original package on a flat surface.
- Always load cut sheets in the portrait orientation.

Using Roll Paper


You can use roll paper with a 2- or 3-inch core, up to 64 inches wide. Manually switching rolls is a simple process. Check the Epson Pro Imaging website (www.proimaging.epson.com) or your Epson Professional Imaging authorized reseller for available media.

Roll Paper Guidelines

When printing on roll paper, be sure to follow the media handling guidelines on page 48, as well as these special guidelines for roll paper:

- When storing roll paper, keep it in its original packaging—including the bag, end caps, and box.
- To avoid feeding excess paper, make sure the  Sheet icon does not appear on the LCD display. Press the  Paper Source button until the  or  roll icon appears.
- Choose  if you want the paper to be cut automatically after each page is printed.
- Do not leave roll paper loaded in the printer when it is not in use.
- Choose  if you want to print a series of pages and use the auto take-up reel.
- Choose  if you're printing on canvas or other heavy media. Media that is too thick may damage the cutter. Use a matte knife or cutter instead.

The following media (and other similar materials) may not work with the built-in cutter:

- Fine art paper (including Epson Textured and UltraSmooth® Fine Art Paper)
- Canvas
- Vinyl
- Matte board
- Heavyweight polyester banner media
- If you're loading heavy paper, you may need to increase the paper suction by pressing the  Paper Feed button.

- For lightweight paper, decrease the suction by pressing the ▼ Paper Feed button if necessary.

Selecting the Paper Type

Whenever you load a new type of paper, you need to select the paper type on the printer's control panel.

1. Press ► Menu.
2. Press ▲ or ▼ to select PAPER SETUP, then press ►.
3. Select PAPER TYPE, then press ►.
4. Select the paper that you are using as listed below, then press the ⏪ button to save the setting.
5. Press the ⏸ Pause button to exit the menu.

If your paper does not appear on the control panel, check the instructions included with the paper, or look on the Epson website (www.proimaging.epson.com). If you are using non-Epson paper, consult the manufacturer for the best setting. You may have to experiment with different settings to determine which one is best for the media you're using.

For this media	Select this Paper Type setting
Photo Paper	
Premium Glossy Photo Paper Premium Photo Paper Glossy	Prem. Glossy Sheet
Premium Glossy Photo Paper (170)	Premium Glossy (170)
Premium Glossy Photo Paper (250)	Premium Glossy (250)
Premium Semigloss Photo Paper Premium Photo Paper Semigloss	Prem. Semi G. Sheet
Premium Semigloss Photo Paper (170)	Premium Semi G. (170)
Premium Semigloss Photo Paper (250)	Premium Semi G. (250)
Premium Luster Photo Paper Ultra Premium Photo Paper Luster	Prem. Luster Sheet
Premium Luster Photo Paper (260)	Premium Luster (260)
Premium Semimatte Photo Paper	Premium Luster (260)

For this media	Select this Paper Type setting
Proofing Paper	
Proofing Paper Commercial Semimatte	Prem. SemiG. Sheet
Proofing Paper White Semimatte	Proofing Paper W. Sm.
Proofing Paper Publication	Proofing Paper Pub
Matte Paper	
Doubleweight Matte Paper	Doubleweight Mat.
Enhanced Matte Paper Ultra Premium Presentation Paper Matte	Enhanced Matte
Somerset Velvet (roll)	Enhanced Matte
Singleweight Matte Paper	Doubleweight Mat.
Fine Art Paper	
UltraSmooth Fine Art Paper	UltraSmooth F.A.
Textured Fine Art Paper	Textured F.A.
Velvet Fine Art Paper	Velvet F.A.
Watercolor Paper - Radiant White PremierArt Water Resistant Canvas	Watercolor Paper
Canvas	CANVAS
Others	
Enhanced Matte Posterboard	Enhanced Mat. Board
Somerset Velvet (sheet)	Enhanced Mat. Board

Setting Up Automatic Media Tracking and Identification

Before you load roll paper in the printer, you can set up the automatic media tracking system. This system prints a barcode on the edge of the paper that indicates the media type, roll length, and the alert setting.

When the printer is turned on or roll paper is placed in the printer, the barcode is scanned and the amount of roll paper remaining is displayed on the LCD panel. You will see an alert message when the roll is nearly used up.

You can have the barcode printed after each print job or only when you change roll paper.

Make sure the paper lever is secured and PAPER OUT appears on the control panel. Then follow these steps to set up the automatic media tracking system:

1. Press ► Menu.
2. Press ▲ or ▼ to select PAPER SETUP, then press ►.
3. Press ▼ to select ROLL PAPER REMAINING.
4. Press ► to select REMAINING PPR SETUP.
5. Press ►, then select one of the following settings:
 - **ON:PRINT EVERY PAGE**
The barcode (indicating the media type, roll length, and alert setting) is printed at the end of each print job.
 - **ON:AT ROLL EXCHANGE**
When you place roll paper in the printer, the paper lever will be locked. You need to press and hold the ⏪ button for three seconds to print the barcode (indicating the media type, roll length, and alert setting) and release the paper lever.
 - **OFF**
Automatic media tracking is disabled.
6. Press the ⏪ button to save the setting.
7. Press ◀, then ▼ to select ROLL PAPER LENGTH.
8. Press ►, then select the length of the roll paper loaded in the printer, from 15 to 300 ft (5 to 99.5 m), then press ⏪.
9. Press ◀, then press ▼ to select ROLL LENGTH ALERT.
10. Press ►, then select the length at which you want to receive an alert message, from 3 to 50 ft (1 to 15 m), then press ⏪.
11. Press the || Pause button to exit the menu.

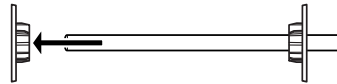
Tip: You can use Maintenance mode to switch the units of measurement in the printer from meters to feet. See page 137 for instructions.

Preparing the Spindle

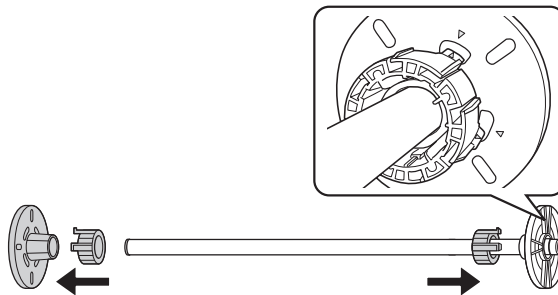
You can use the spindle for roll paper with either a 2-inch or 3-inch core, and adjust the tension from normal to high.

To use paper with a 3-inch core, you need to attach the spindle adapters:

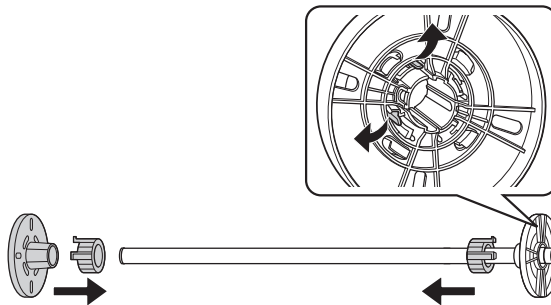
1. Slide the black paper stop off the left end of the spindle.



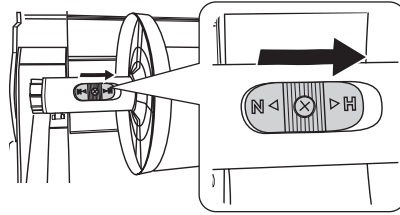
2. Attach the adapters to the paper stops as shown, matching the four arrows.



To remove the adapters, slide the black paper stop off the end of the spindle. Then press on the four tabs and slide the adapters off the paper stops.



- To adjust the tension on the spindle, slide the switch to H for high tension, or N for normal.



Switch to high tension when printing on fine art paper, cloth, or other media that weigh less than 100 g/sm. See your on-screen *User's Guide* for a list of media that require the high tension setting.

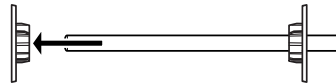
Note: The spindle accommodates both 2-inch and 3-inch roll paper cores. To switch between different size cores, see page 53.

Avoid touching the printable surface of the paper as much as possible. Oils from your skin can affect print quality.

Loading the Paper onto the Spindle

Follow these steps to attach the roll to the spindle:

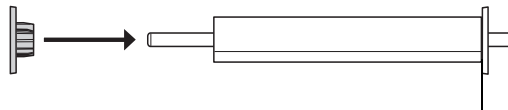
- Slide the black paper stop (flange) off the left end of the spindle.



- Position the roll so the paper unwinds as shown, then slide the spindle into the roll. Make sure the gray paper stop at the right end of the spindle is firmly locked into the core and there is no gap between the paper and the paper stop.



- Slide the black paper stop back onto the spindle and insert it into the end of the roll. Make sure it is firmly locked into the left end of the paper roll core.



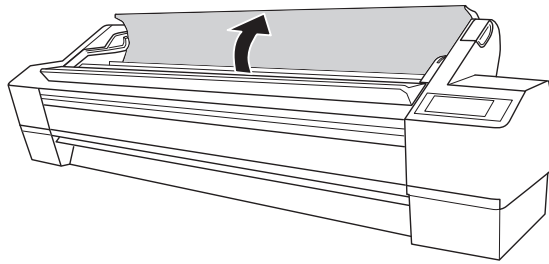
Make sure there is no gap here

Placing the Paper in the Printer

If the media tracking system is enabled, a barcode is scanned when you install roll paper in the printer. This enables the printer to keep track of the amount of paper remaining at all times and warn you when it is running out. See page 51 for more information.

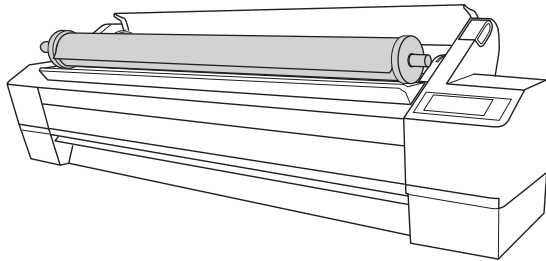
Follow these steps to place the paper in the printer:

1. Open the roll paper cover.

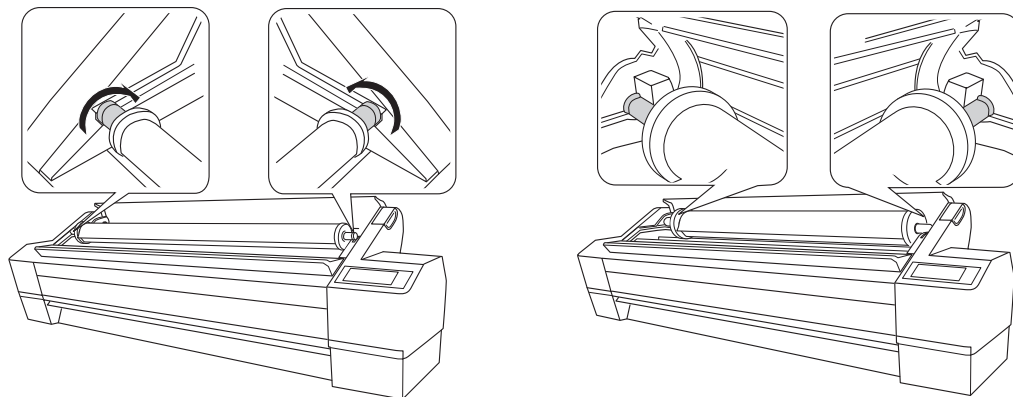


WARNING: Make sure you have two people lift the roll, handling it by the paper stops at both ends.

2. Place the roll paper in the roll holder as shown. (The gray end of the spindle goes on the right.)



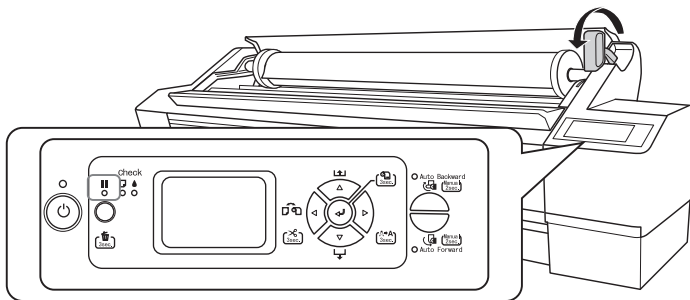
- Align the roll with the rails on both sides, and slowly roll it into place on the mounting brackets.



- Make sure the **Pause** light is not flashing, then release the paper lever.

If the media tracking system is set up to scan the barcode when you insert the paper, you will see the remaining amount of paper displayed on the LCD panel, and the paper lever will be locked. Press and hold the **Back** button for 3 seconds to unlock the paper lever.

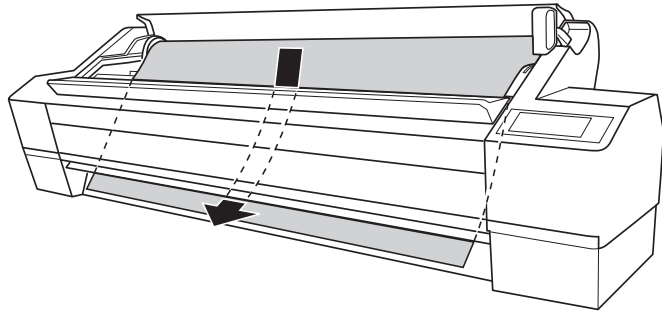
Caution: Do not release the paper lever while the **Pause** light is flashing, or you may damage the printer.



Caution: To avoid feeding excess paper, make sure you don't select **Roll** when you're using roll paper.

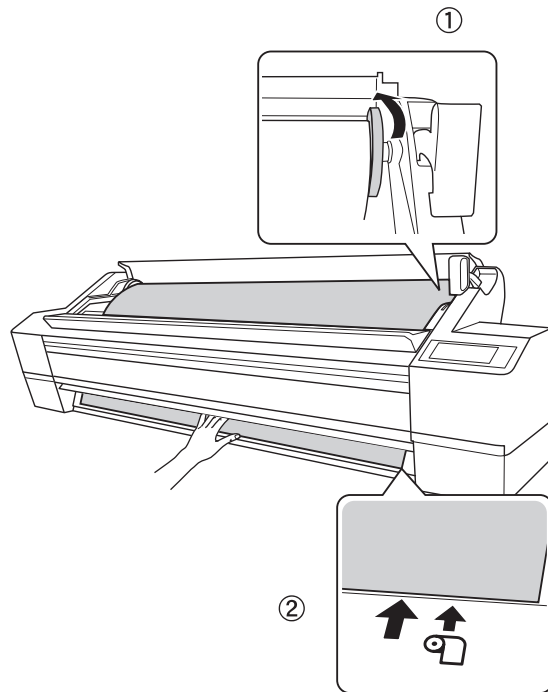
- Press the **Paper Source** button until the **Roll** or **Roll** icon appears on the LCD display.

6. Feed the paper into the slot and pull it all the way through.



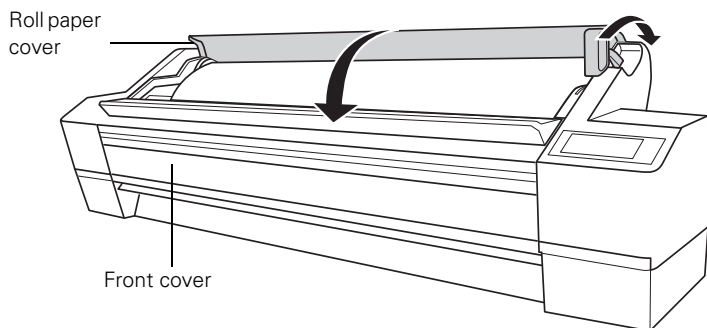
Note: Make sure the paper is straight, within 1 in. of the horizontal line, and the edge is cut straight across. If the edge is not straight, press the ◀ button until the □➤ icon appears on the LCD, then press and hold the ◀ button to cut the edge before printing.

7. Holding the bottom edge of the paper, turn the roll back to remove any slack. Then align the bottom edge with the horizontal line.



Note: Opening the front cover causes printing to stop. Do not open the front cover while printing is in progress, or your print quality might be affected.

8. Move the paper lever to the locked position, then close the roll paper cover.

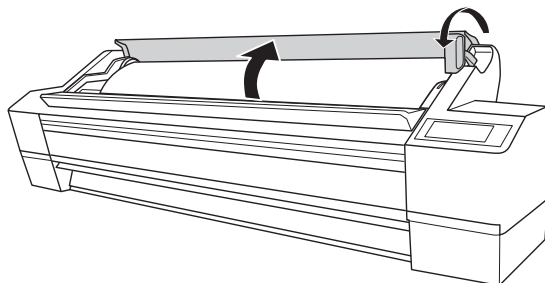


Tip: To avoid indenting or creasing the paper, remove it from the paper path and roll it up when you are not printing.

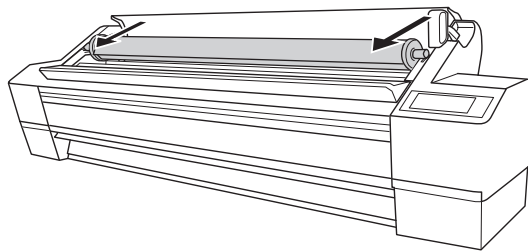
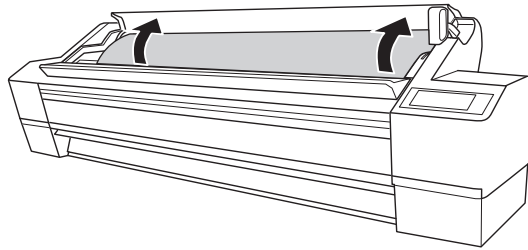
9. Press the **||** Pause button (or wait for 5 seconds). The paper feeds into printing position automatically.
10. When you see a question on the display about the type of media you want to use, select **Yes** if the media is correct, or select **No**, then change the setting and press **↩**.

Removing Paper from the Spindle

1. Make sure the printer is turned on, and the **||** Pause light is not flashing.
2. Open the roll paper cover, then release the paper lever. If the media tracking system is set up to scan the barcode when you load paper, the paper lever will be locked. Press and hold the **↩** button for 3 seconds to unlock the paper lever.

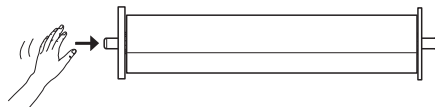
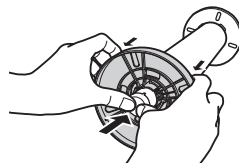


3. Wind up the paper and roll it onto the rails.



WARNING: Make sure you have two people lift the roll, handling it by the paper stops at both ends.

4. Have two people lift the paper out of the printer and place it on a flat surface.
5. Hold the black paper stop as shown and remove it from the spindle. If necessary, lightly tap the spindle to loosen the paper stop.



Caution: Do not strike the paper stop on the floor to remove the paper, or the spindle might be damaged.

6. Remove the roll paper from the spindle.

After rewinding the roll, carefully place it in the bag and box that it came in.

Cutting Paper Manually

When you're not using the auto cut setting, you may need to cut the paper manually by pressing the button after your print job is finished. You can use the ◀ button to cut most types of paper. However, if you're printing on fine art paper, canvas, or other heavy media, you should use a matte knife or scissors rather than the built-in cutter.

See page 49 for a list of media that should not be used with the built-in cutter.

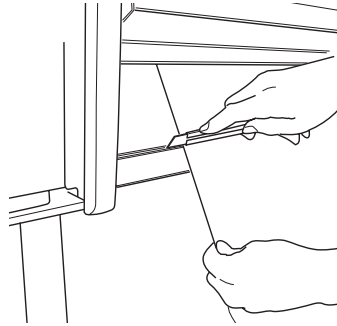
Follow these steps to cut manually with the built-in cutter:

1. Before you print, press ◀ until you see the 🗑️ icon on the LCD display.
2. Run your print job.
3. If necessary, adjust the cutting position by pressing the ▲ or ▼ Paper Feed buttons.
4. Press ◀ until you see the 🗑️✂️ icon on the LCD display.
5. Press and hold the ◀ button for 3 seconds. The paper is cut.

If you can't use the built-in cutter, follow these steps to cut the paper with a matte knife:

1. Make sure you have selected the correct (non-cuttable) paper type on the printer's control panel.
2. Before you print, press ◀ until you see the 🗑️ icon on the LCD display.
3. Run your print job.
4. Press and hold ◀ for 3 seconds to feed the paper to the manual cutting position.

5. Use a matte knife to cut the paper by running it along the groove on the front cover.



6. Press the **||** Pause button to return to the READY state.

Printing Trim Lines

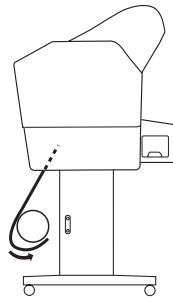
You can print trim lines on the bottom edge of your pages.

1. Press **▶** Menu.
2. Press **▶** to select PRINTER SETUP.
3. Press **▼** to select PAGE LINE, then press **▶**.
4. Select ON.
5. Press the **↵** button to save the setting. An asterisk appears next to ON.
6. Press the **||** Pause button to exit the menu.

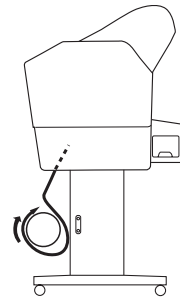
You can also specify trim lines from your printer driver software. For instructions, see page 91 (Mac OS X) or page 110 (Windows).

Using the Auto Take-up Reel

The auto take-up reel safely winds up roll media output, allowing you to produce large print runs unattended. You can wind the media either forward or backward (to uncurl it), as shown:



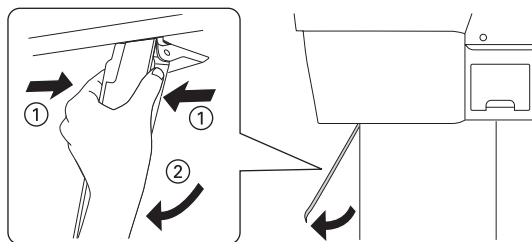
Winding forward



Winding backward

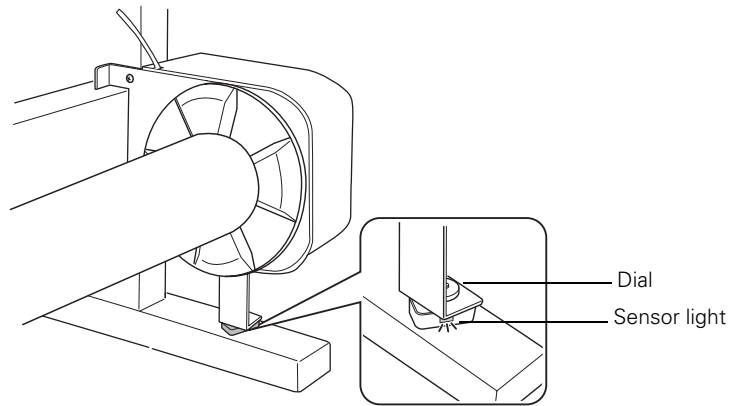
Winding Paper Forward

1. Set the paper guides to the forward position.

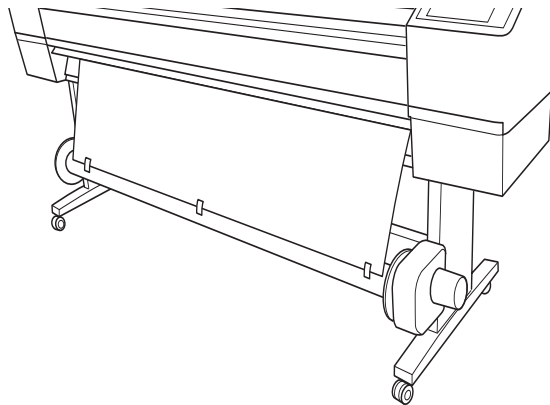


2. Make sure the green and orange sensor lights are on.

If the lights are off, the light emitter and light detector might not be aligned correctly, or something might be blocking the signal. If necessary, adjust the light emitter, then turn the dial to lock its position.

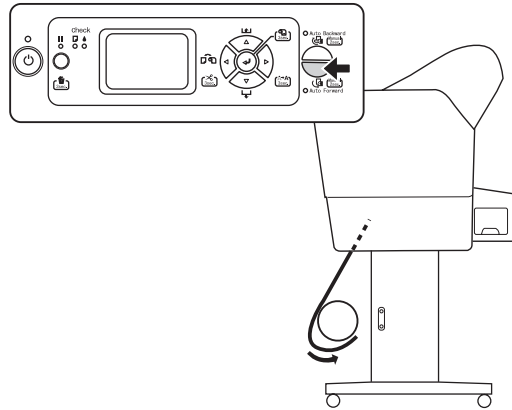


3. Press ◀ to select ☐.
4. Align the edge of the paper with the horizontal line. If you're using the automatic media tracking system, the barcode is scanned.
5. Press ▼ to feed the paper.
6. Use three pieces of tape to attach the paper to the take-up reel core.



7. Press ▼ to feed the paper and create some slack.

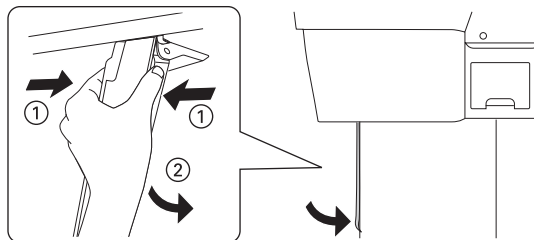
8. Hold down the **Auto Forward** button on the control panel to rotate the take-up reel and wind a small length of paper. Make sure there is enough slack between the paper and the take-up reel core.




9. When you're ready to print, make sure **Auto Cut** is set to **Off** in the printer driver.
10. Press the **Auto Forward** button on the control panel, then send your print job to the printer.

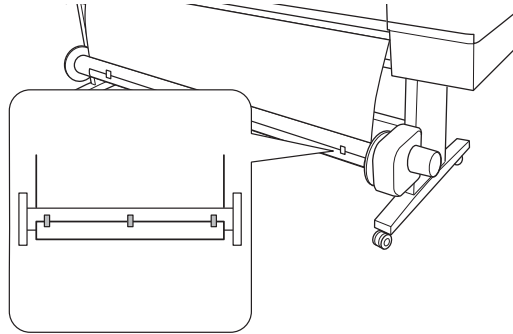
Winding Paper Backward

1. Set the paper guides to the vertical position.

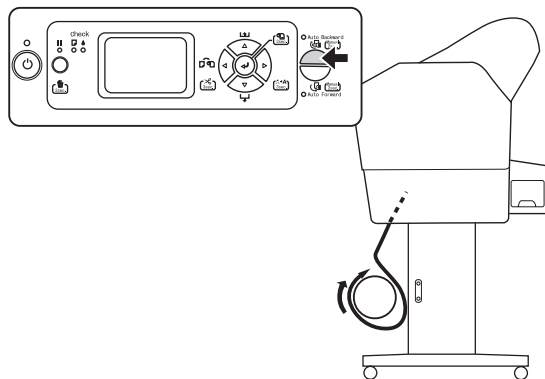


2. Press ◀ to select .
3. Align the edge of the paper with the horizontal line. If you're using the automatic media tracking system, the barcode is scanned.

4. Press ▼ to feed the paper.
5. Pull the paper around the back of the take-up reel core and use three pieces of tape to attach the paper to the core.



6. Press ▼ to feed the paper and create some slack.
7. Hold down the **Auto Backward** button on the control panel to rotate the take-up reel and wind a small length of paper. Make sure there is enough slack between the paper and the take-up reel core.



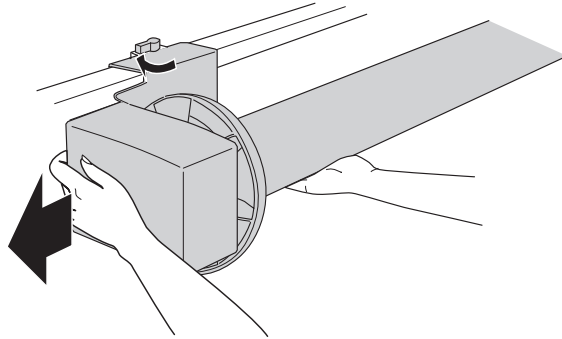
8. When you're ready to print, make sure Auto Cut is set to Off in the printer driver.
9. Press the **Auto Backward** button on the control panel, then send your print job to the printer.

Removing Paper from the Take-up Reel

1. Press ◀ on the control panel to select 🔄.
2. Press and hold ◀ for three seconds to cut the paper.

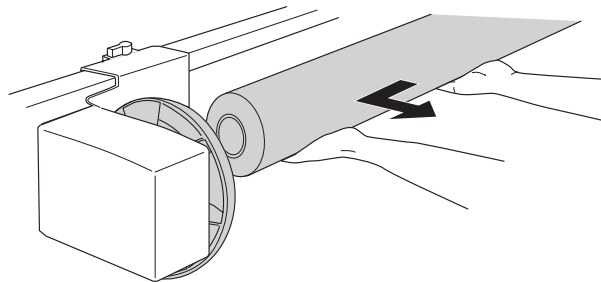
If the media is too thick to cut with the built-in cutter, cut it manually following the instructions on page 60.

3. Support the take-up reel core with one hand to keep it from falling. Then turn the lever to unlock the movable unit and slide it out to the left.



WARNING: The printed media and core may be heavy and need to be lifted by two people.

4. Remove the printed media and core. If a large amount of paper has been printed, two people may be required to lift the media and core.

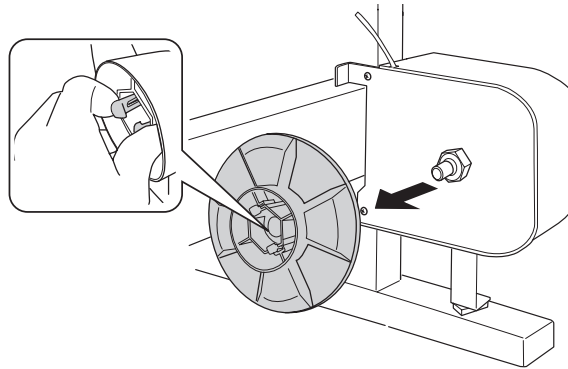


5. To reinstall the core after you remove the printed media, see page 29.

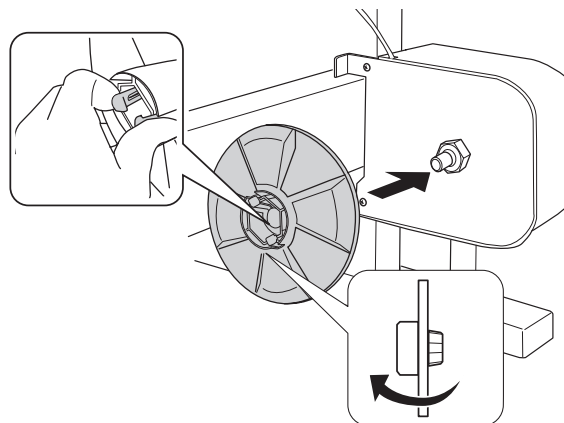
Installing a 2-inch Take-up Reel Core

You can use a 2-inch roll paper core (after the paper is used up) in the auto take-up reel. First you need to reverse the paper stops.

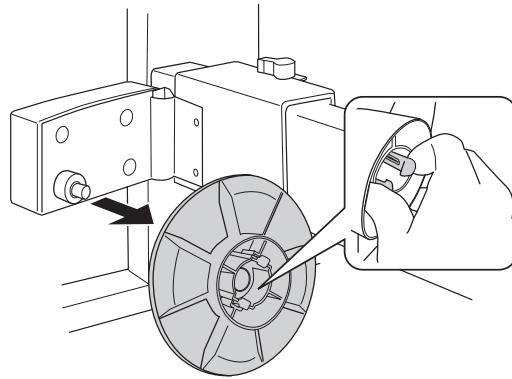
1. Remove the paper stop from the drive unit by pinching the clips.



2. Reverse the paper stop so that the smaller knob is on the outside. Then pinch the clip and reinstall the paper stop on the drive unit.



3. Remove the paper stop from the movable unit by pinching the knob.



4. Reverse the paper stop so that the smaller knob is on the outside. Then pinch the knob and reinstall the paper stop on the movable unit.

Using Cut Sheet Paper

You can print on many types of cut sheet paper and other media. The printer accepts sheets ranging from letter size to 64 inches wide.


You can leave your roll paper on the spindle when you print on cut sheets; make sure it is removed from the paper path and rolled up.

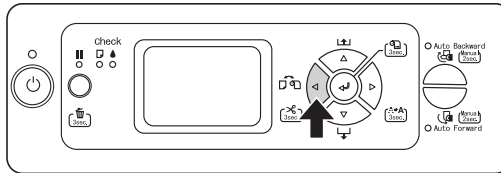
If you're using stock thicker than 19 mil (0.5 mm), load it as described on page 72.

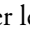
If you're loading small sheets or fine art paper, see page 71.

Loading Cut Sheets

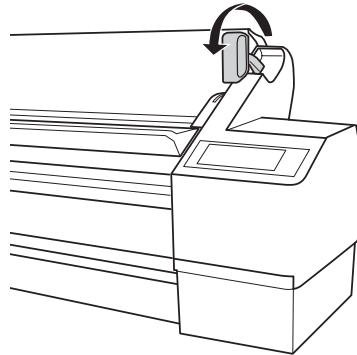
Follow these steps to load cut sheet paper.

1. Make sure the printer is on and the roll paper cover is closed.
2. Press ◀ until  appears on the LCD display.



3. Make sure the Paper Check light is on, then release the paper lever. If the paper lever is locked, press and hold the  button for 3 seconds to print the barcode and unlock the paper lever.

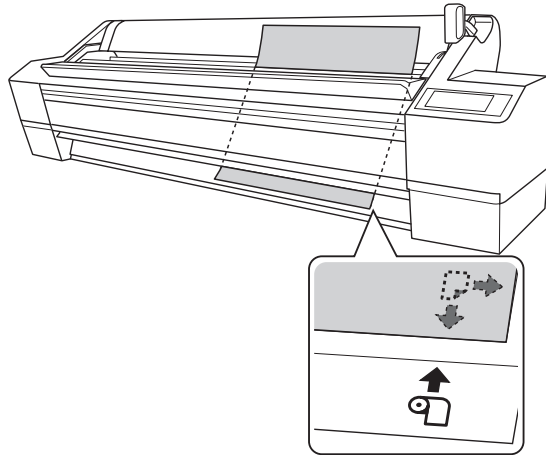
Tip: You can also load cut sheet paper without releasing the paper lever. This method is recommended for small sheets or fine art paper.



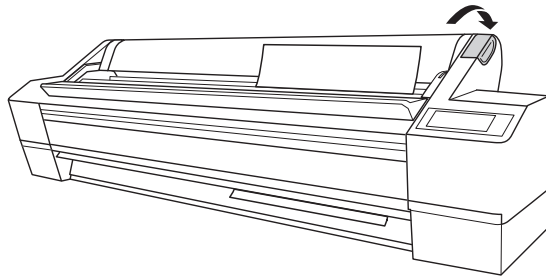
Note: For heavy paper, you may need to increase the suction by pressing the ▲ button. This helps hold the paper in place during loading and printing.

For lightweight paper, decrease the suction by pressing the ▼ button.

4. Feed the sheet into the paper slot. Make sure the right and bottom edges of the paper are straight and aligned with the horizontal and vertical lines on the printer.



5. Push the paper lever back to the secured position.




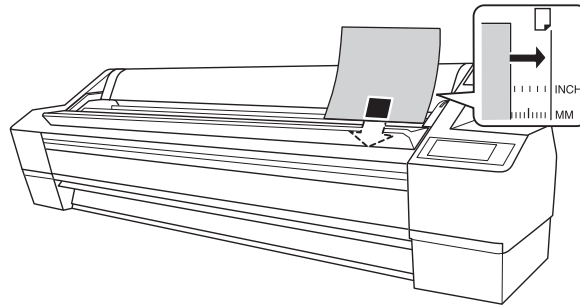
Caution: To avoid damaging the printer, never move the paper lever during printing, or while the ■ Pause light is flashing.


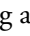
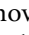
6. Press the ■ Pause button. The sheet feeds into printing position automatically.
7. When you see a question on the display about the type of media you want to use, select **Yes** if the media is correct, or select **No**, then change the setting and press ↵.
8. Print your page. After it is finished, the sheet stays in the printer.
9. To remove your print, press the ▼ button or release the paper lever while holding the printed sheet.

Loading Small Cut Sheets or Fine Art Paper

You can load paper without releasing the paper lever. This prevents scratching that might damage fine art paper, and is also easier, especially when you are loading small sheets.

1. Make sure the printer is on and the roll paper cover is closed.
2. Press ◀ until  appears on the LCD display.
3. Make sure the paper lever is in the locked position.
4. Feed the sheet into the paper slot until it stops. Make sure the right edge of the paper is straight and aligned with the scale on the roll paper cover.

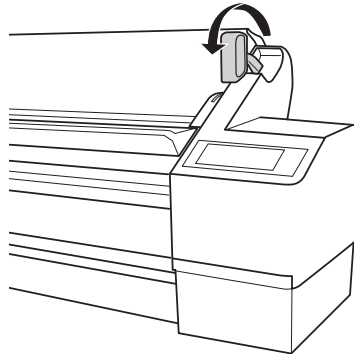


5. Press the  Pause button. The sheet feeds into printing position automatically.
6. When you see a question on the display about the type of media you want to use, select **Yes** if the media is correct, or select **No**, then change the setting and press .
7. Print your page. After it is finished, the sheet stays in the printer.
8. To remove your print, press the  button or release the paper lever while holding the printed sheet.

Printing on Posterboard

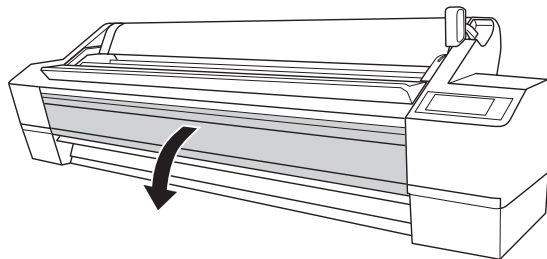
You can print on Epson Enhanced Matte Posterboard or other heavy stock up to 40 × 60 inches. Follow these instructions when you print on posterboard or other media more than 19 mil (0.5 mm) thick.

1. Make sure no other paper is loaded for printing. You can leave roll paper on the spindle, but make sure you wind it up fully and close the roll paper cover.
2. Press ◀ until □ appears on the LCD display.
3. Make sure the Paper Check light is on, then release the paper lever. If the paper lever is locked, press and hold the ◀ button for 3 seconds to print the barcode and unlock the paper lever.



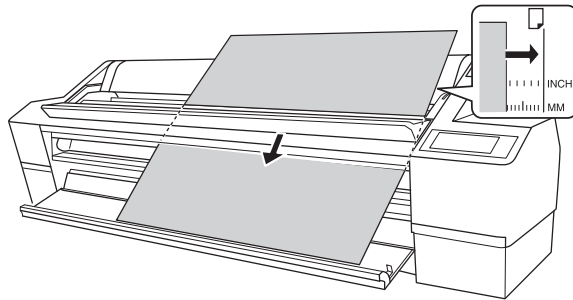
Caution: Be careful not to touch the cables around the print head; otherwise, the printer may be damaged.

4. Open the front cover. (The cover has a lip that acts as a paper support.)

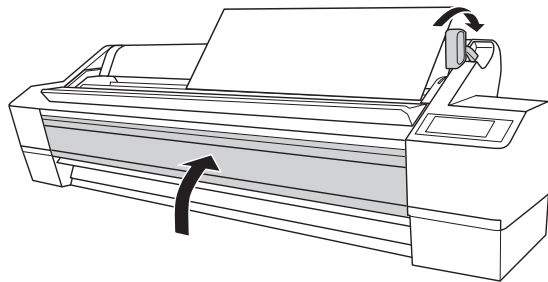


5. Feed the posterboard into the paper slot until it meets resistance.

6. Align the board with the scale on the roll paper cover.



7. Push the paper lever back, to the locked position. Then close the front cover.



8. Press the **||** Pause button. The board feeds into printing position automatically.
9. When you see a question on the display about the type of media you want to use, select **Yes** if the media is correct, or select **No**, then change the setting and press **↵**.
10. Print your page. After it is finished, the posterboard stays in the printer.
11. To remove the print, hold it while releasing the paper lever.

Note: If you notice head strikes on your prints, make sure your paper is flat. If so, try changing the platen gap setting to **WIDE**. If that doesn't solve the problem, try changing it to **WIDER**.





Caution: To avoid damaging the printer, make sure you do not select the **Narrow** setting when you print on thick media.

Adjusting the Platen Gap for Thick or Thin Paper

When you print on unusually thick or thin paper, you may need to adjust the platen gap setting. **STANDARD** is the default setting. However, if print quality is not satisfactory when using very thin or very thick stock, you may need to change this setting.

1. Press ► **Menu**.
2. Press ► again to select the Printer Setup menu and highlight **PLATEN GAP**.
3. Press ► again. **STANDARD** is highlighted as the current setting.
4. Use the ▲ and ▼ buttons to change the setting. (**STANDARD** is the default setting; you can also choose **NARROW**, **WIDE**, **WIDER**, or **WIDEST**.)
5. Press the ⇐ button to save the setting. An asterisk appears next to the selected setting.
6. Press the || Pause button to exit the menu mode.

If you've selected a non-standard platen gap, the following symbols appear in the corner of the display to remind you of the narrow or wide setting:

 Widest
 Wider
 Wide
 Narrow

When you switch media, don't forget to change the setting back to **STANDARD**.

If you're printing on non-Epson media and not using the Epson driver, you may also need to create a paper configuration to optimize your results. See page 75 for more information.

Optimizing the Settings for Your Paper

When you choose a media type in your Epson printer software, the driver automatically determines the best settings for your paper. However, you may want to fine-tune how the printer handles various media—especially if you use non-Epson paper or a paper not supported by the driver.

You can create a special configuration, or group of settings, for each paper type (up to ten types) and select the desired configuration whenever you print on a particular stock.

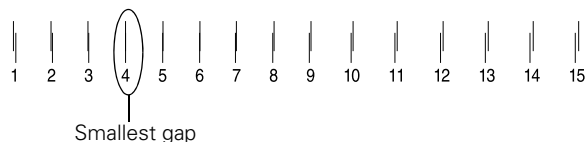
Creating Custom Paper Configurations

Note: Paper configurations are needed only for non-Epson media.

Note: You can change paper numbers if necessary using the Epson LFP Remote Panel installed from the printer software CD.

To create a configuration for a specific paper type, make sure the paper you want to configure is loaded in the printer. Then follow these steps:

1. Press **▶** Menu, then press **▲** or **▼** to select PAPER SETUP.
2. Press **▶**, then press **▼** to select CUSTOM PAPER.
3. Press **▼** or **▲** to select a paper configuration number (1 to 10). Press **▶** to save the number setting.
4. Press **▼** or **▲** to select PAPER TYPE, then press **▶**. Press **▼** or **▲** to select a media type, then press **↵** to save it. Press **◀** to go back to the previous menu.
5. Press **▼** or **▲** to select PLATEN GAP, then press **▶**. Press the **▼** button to select NARROW, STANDARD, WIDE, or WIDER. The STANDARD setting is recommended for most paper types. Press **↵** to save the setting, then press **◀** to go back to the previous menu.
6. Press **▼** or **▲** to select THICKNESS PATTERN, then press **▶**. Press **↵** to print the paper thickness pattern. A pattern similar to the following is printed:



7. Examine the printed pattern for the most evenly overlapping lines. Choose the number with the most even lines. In the example shown above, the lines under number 4 are the most even.

After printing the pattern, **THICKNESS NUMBER** is highlighted.

8. Press ▼ or ▲ to select the number that you noted in step 7, then press ↵.
9. Press ◀, then ▼ for the menu options shown below. Make any adjustments, as needed, and press ↵ to save each setting.

You can also make similar settings using the printer driver software. For instructions, see page 88 (Mac OS X) or page 115 (Windows).

- **CUT METHOD** lets you decrease the cutting blade pressure for thinner media, or adjust the speed for thick media. You may need to experiment to determine the cleanest cut for your paper.
- **PPR FEED ADJUSTMENT** helps eliminate banding. Choose a lower value if you see white lines on your prints, or a higher value if you see dark lines.
- **DRYING TIME** lets you print with non-Epson media and avoid smearing the ink. You can make the print head wait up to 10 seconds after each pass to allow ink to dry on the page.
- **PAPER SUCTION** lets you decrease the paper suction level when printing on thin media (under 12 lb), such as drafting paper or backlight film.

10. When done, press the ■ Pause button.

After you create paper configurations, you can use the **TEST PRINT** menu to print out a list of paper numbers showing the settings for each one.

Printing Your Paper Configurations

You can print a list showing the settings for all your paper configurations. This makes it easy to select the configuration you want for a particular type of paper.

1. Press ► Menu, then press ▼ to select TEST PRINT. Press ► again.
2. Press ▼ to select CUSTOM PAPER, then press ►.
3. Press ↵ to print your custom paper configurations.

Selecting Paper Configurations

Once you have created a paper configuration, you can select it whenever you print on that paper:

1. Press ► Menu, then press ▲ or ▼ to select PAPER SETUP.
2. Press ►, then press ▼ to select CUSTOM PAPER, then press ►.
3. Press ► to select the paper type.
4. Press ▼ to select CUSTOM PAPER.
5. Press ▲ or ▼ to select the configuration number that you want to use.
6. Press ↵. The configuration number you selected is displayed on the LCD with an asterisk.
7. Press the || Pause button to exit the menu.

Chapter 3: Printing with Epson Drivers for Macintosh

Your Epson Stylus Pro 11880 comes with drivers and utilities that let you print and manage print jobs. For the best black and white photography output, the Epson driver offers an Advanced Black and White Photo mode.

ICC profiles for ColorSync® are included, so you can use color management features in Adobe® Photoshop® or other applications, or in the driver itself. A color-managed workflow using Photoshop and a color-calibrated monitor will give you the most accurate colors and best output from your printer for color photos.

You can create your own profiles if you have the required hardware and software, or you can have them created by a color specialist. Make sure any profiles you want to use are located in the standard folder for your operating system. When you install the Epson printer driver, the ready-made profiles are automatically copied to the right folder.

Before you print, make sure you have installed the Epson printer driver and utilities from the CD-ROM. You also need to configure your connection and set up the printer in the Printer Setup Utility. For instructions on installing and configuring the printer driver, see page 37.

Tip: Check the Epson Pro Imaging website at www.proimaging.epson.com for updated drivers and utilities that may become available.

This chapter includes the following information for Mac OS X:

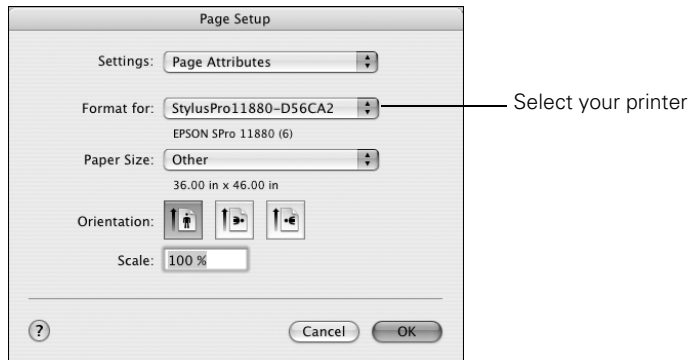
- Choosing page setup settings for cut sheets and roll paper
- Choosing basic print options
- Selecting the correct Media Type setting
- Choosing advanced print options, including color management and paper configuration settings
- Choosing roll paper options
- Choosing advanced black and white photo settings
- Creating a custom preset and printing
- Managing print jobs
- Checking printer status

Note: Many application settings override the printer's page setup options. Always verify settings to get the results you expect. If you need more information about print options, click the **Help** button.

Choosing Page Setup Options

Page Setup options let you choose from several options for printing on cut sheets or roll paper. You can also select the orientation of your image and the paper size. For printing on roll media, creating a custom page size is recommended to make the best use of your paper.

1. Open the file you want to print and select **Page Setup** in your application. You see this screen:



2. Open the **Format for** drop-down menu and select your printer.

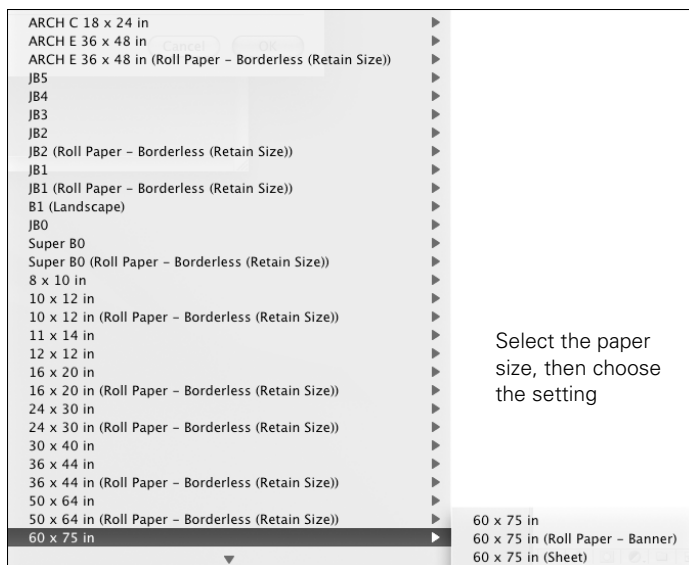
Note the following limitations on borderless printing:

- Borderless printing takes longer than normal printing.
- Margins are required at the top and bottom of the page on cut sheets. Full borderless printing is available on roll paper only.

Note: If your application has margin settings, make sure they're turned off for borderless printing.

3. Click the Paper Size drop-down menu.

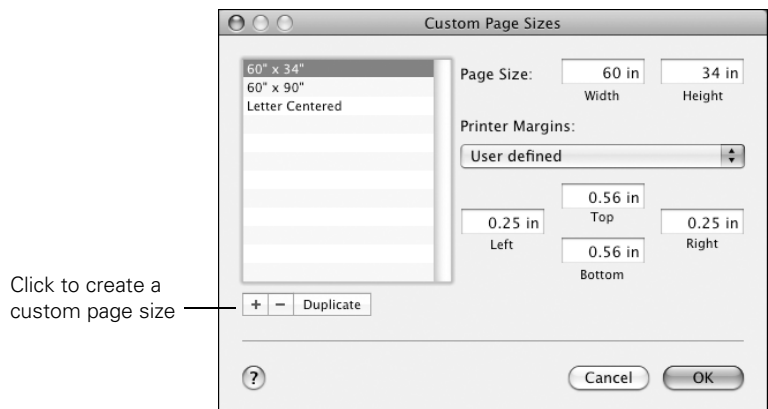
- If you're printing on a cut sheet, choose the size of the paper you are using and one of the options listed below. Then continue with step 7.
- If you're using roll paper, Epson recommends that you create a custom paper size to make the best use of your paper (see page 82 for instructions).



The following settings are available, depending on the size you choose:

- The **Sheet** setting prints on cut sheet paper with a bottom margin larger than the top and sides.
- **Sheet - Borderless (Auto Expand)** prints on cut sheets and enlarges your image (up to 3%) to fit the width of the paper (without side borders).
- **Sheet - Borderless (Retain Size)** prints your image at the size you specify in your application. You need to size it slightly wider than the paper width to print without side borders.
- **Roll Paper - Banner** prints a series of continuous images without any margin space between them, but with normal side borders.

- **Roll Paper - Borderless (Auto Expand)** prints without borders on roll paper and enlarges your image (up to 3%) to fit the size of the paper. This selection is recommended for borderless printing with minimal clipping of your image. See page 91 for more information.
 - **Roll Paper - Borderless (Retain Size)** prints your image on roll paper at the size you specify in your application. You need to size it slightly wider than the paper width to print without borders. See page 91 for more information.
 - **Roll Paper - Borderless Banner** prints a series of continuous borderless images without space between them.
 - **Roll Paper** prints on roll paper with the standard printable area.
4. If you are printing on roll paper, choose **Manage Custom Sizes** from the **Paper Size** menu. (If you are printing on a cut sheet, skip to step 7.)



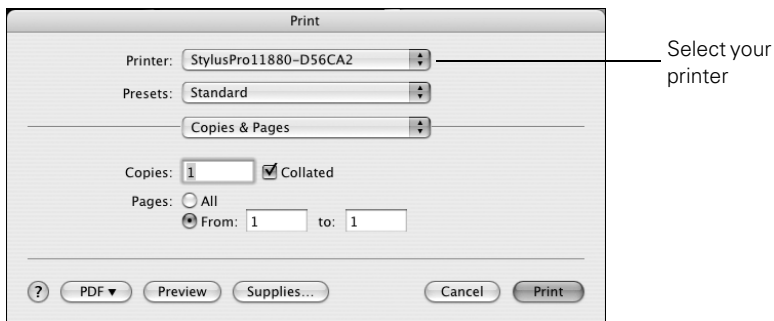
Note: If you're printing on roll paper, make sure you set the bottom margin to 0.56 inch or less. To center your image on the page, make the top and bottom margins the same.

5. Click the + (plus sign), give your paper size a name, and define its size and margins. Then click **OK**.
6. Select your new paper size from the **Paper Size** drop-down menu.
7. Choose the appropriate **Orientation** and **Scale** for printing.
8. Click **OK**. Then continue with the instructions in the next section.

Choosing Basic Print Options

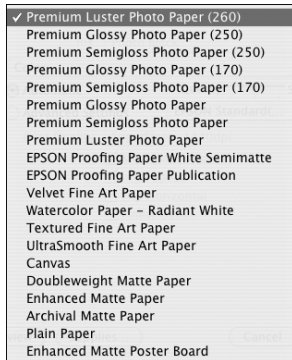
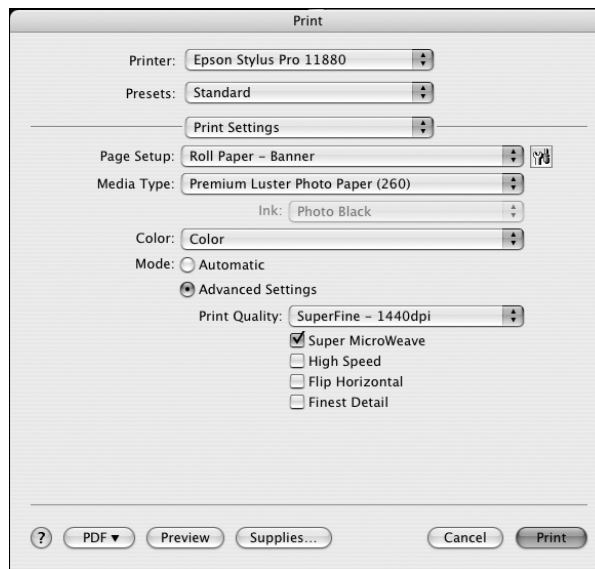
Once you have selected your page setup options, you need to select printing options. The Epson driver offers automatic settings that optimize print quality and speed when you're using Epson media. You can also choose advanced settings for more control over your printer and color management options, as described on page 87.

1. Select **Print** in your application. You see the screen shown below:



2. Choose your printer from the Printer menu.
3. Select **Print Settings** from the **Copies & Pages** drop-down menu.

You see this screen:



4. Select the **Media Type** that corresponds to the paper you are printing on. See the table on page 86 for more information.

If you are using a color-managed workflow, make sure you choose media type and resolution settings that match the ICC profile you are using.

5. If the media you are using supports both photo black and matte black ink, select the one you want to use.
6. For the **Color** setting, select **COLOR** for any type of photographic printing. Choose **Advanced B&W Photo** if you are printing black and white photos using this unique printer technology on select paper types. See page 93 for more information. (For paper types that don't support this option, print black and white photos with the **COLOR** setting.)

7. Set the **Mode** option as follows:

- Click **Automatic** to have the printer driver analyze the contents of your image or file and make the appropriate printing adjustments.

You can choose one of the mode settings shown at the left in the drop-down menu:

The **Charts and Graphs** setting intensifies colors and lightens the midtones and highlights of an image. Use this setting for presentation graphics.

The **EPSON Standard (sRGB)** setting increases the contrast in images. Use this setting for color photographs.

The **Adobe RGB** setting matches image colors to the Adobe RGB color standard.

- Click **Advanced Settings** to access additional options, as described below.

8. Choose one of the following **Print Quality** settings:

- **Draft**
- **Normal - 360dpi**
- **Fine - 720dpi**
- **SuperFine - 1440dpi**
- **SuperPhoto - 2880dpi**

9. Choose any of the following:

- **Super MicroWeave[®]** for maximum elimination of banding.
- **High Speed** for fast, bidirectional printing. For higher quality, make sure you deselect this option.
- **Flip Horizontal** for printing a mirror image of your file.
- **Finest Detail** for sharper edges on vector-based data including text, graphics, and line art. (This setting does not affect photographs and is not recommended for large files.)

Note: The Print Quality settings available depend on the Media Type you selected. Choose lower print quality for faster printing, or SuperPhoto - 2880dpi for best quality.

Continue with the instructions on page 87 to select color management settings. If you are using the color management settings in Photoshop or another application, it is very important to turn off color management in the printer driver, as described on page 88.

Selecting the Correct Media Type Setting

The table below lists the settings designed to produce the best results on Epson media.

If your paper is not listed, check the instructions included with the paper, or look on the Epson website (www.proimaging.epson.com). If you are using non-Epson paper, consult the manufacturer for the best setting. You may have to experiment with different settings to determine which one is best for the media you're using.

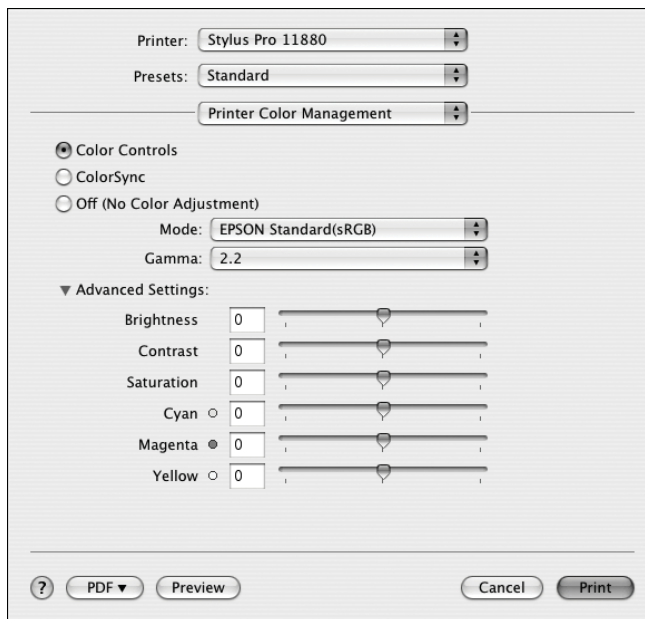
For this media	Select this Media Type setting
Premium Glossy Photo Paper Premium Photo Paper Glossy	Premium Glossy Photo Paper
Premium Glossy Photo Paper (170)	Premium Glossy Photo Paper (170)
Premium Glossy Photo Paper (250)	Premium Glossy Photo Paper (250)
Premium Semigloss Photo Paper Premium Photo Paper Semigloss	Premium Semigloss Photo Paper
Premium Semigloss Photo Paper (170)	Premium Semigloss Photo Paper (170)
Premium Semigloss Photo Paper (250)	Premium Semigloss Photo Paper (250)
Premium Luster Photo Paper Ultra Premium Photo Paper Luster	Premium Luster Photo Paper
Premium Luster Photo Paper (260)	Premium Luster Photo Paper (260)
Premium Semimatte Photo Paper	Premium Luster Photo Paper (260)
Proofing Paper White Semimatte	EPSON Proofing Paper White Semimatte
Proofing Paper Publication	EPSON Proofing Paper Publication
Doubleweight Matte Paper	Doubleweight Matte Paper
Enhanced Matte Paper Ultra Premium Presentation Paper Matte	Enhanced Matte Paper
Singleweight Matte Paper	Doubleweight Matte Paper
UltraSmooth Fine Art Paper	UltraSmooth Fine Art Paper
Textured Fine Art Paper	Textured Fine Art Paper
Velvet Fine Art Paper	Velvet Fine Art Paper
Somerset Velvet (sheets) Somerset Velvet (roll paper)	Enhanced Matte Posterboard Enhanced Matte Paper

For this media	Select this Media Type setting
Watercolor Paper - Radiant White	Watercolor Paper - Radiant White
PremierArt Water Resistant Canvas	Watercolor Paper - Radiant White
Canvas	Canvas
Enhanced Adhesive Synthetic Paper	Synthetic Paper
Enhanced Matte Posterboard	Enhanced Matte Posterboard

Choosing Printer Color Management Options

Follow these instructions to use color management in the printer driver.

1. Select Printer Color Management from the drop-down menu, then click Advanced Settings. You see this screen:



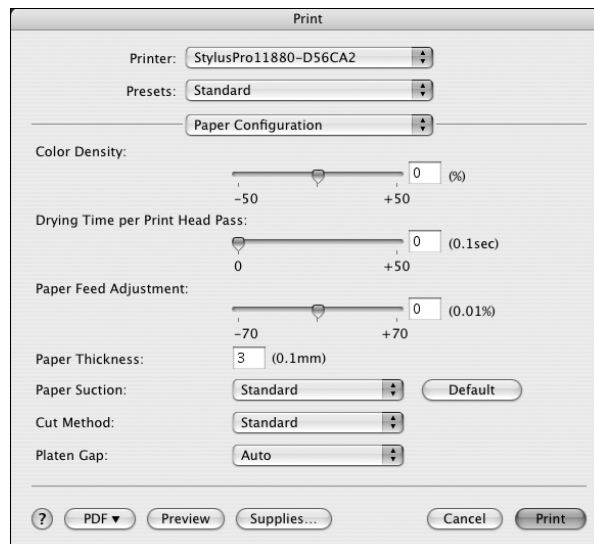
2. Select one of the following settings:
 - **Color Controls** to choose from three Color Adjustment modes and from two Gamma settings. Click the arrow next to **Advanced Settings** to specify individual values for brightness, contrast, saturation, and CMY inks. When you use the driver to perform color management, make sure you turn it off in your application.
 - **ColorSync** for mapping colors to your printer's profile. In most cases, you will get better results by applying color management in your application, rather than in the printer driver. If you choose this setting, you can choose ColorSync from the drop-down menu and choose filters or other settings.
 - **(Off) No Color Adjustment** to disable color management in the printer driver. Choose this mode when you use a color-managed ICC workflow in Photoshop or other software applications.

Choosing Paper Configuration Options

Follow these instructions if you are using non-Epson media and you need to fine-tune its performance.

Note: You may need to change the Color Density setting if your custom color profile was created to optimize D-max and color gamut.

1. Select **Paper Configuration** from the drop-down menu. You see this screen:

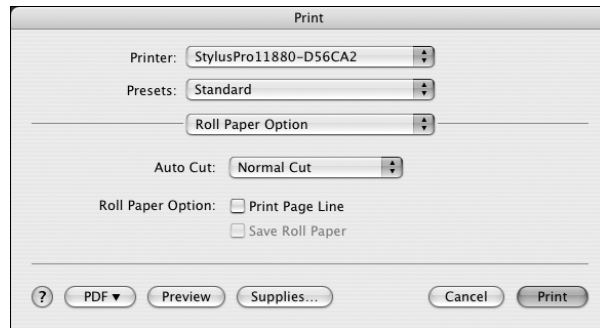


2. Select the correct settings to match your ICC profile. These settings override any paper configuration settings you may have made using the printer's control panel.
 - **Color Density** lets you control the ink saturation level.
 - **Drying Time per Print Head Pass** lets you print with non-Epson media and avoid smearing the ink. You can make the print head wait up to 5 seconds after each pass to allow ink to dry on the page.
 - **Paper Feed Adjustment** helps reduce banding. Choose a lower value if you see white lines on your prints, or a higher value if you see dark lines.
 - **Paper Thickness** helps reduce vertical banding and creates a sharper image when printing on unusually thick or thin paper.
 - **Paper Suction** lets you decrease the paper suction level when printing on thinner papers (less than 12 lb), such as CAD drafting paper.
 - **Cut Method** decreases the cutting blade pressure for thinner media, or adjusts the speed for thick media. You may need to experiment to determine the best setting for your paper.
 - **Platen Gap** lets you fine-tune the setting for various paper thicknesses.

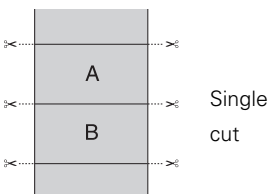
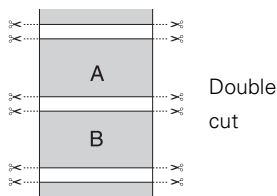
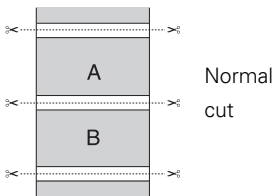
Choosing Roll Paper Options

If you are printing on roll paper, make sure you choose one of the roll paper options as the **Paper Size** setting, as described on page 80. In addition, you need to check these settings for various cutting and feeding options.

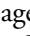
1. Select **Roll Paper Option** from the drop-down menu. You see this screen:



2. Choose one of the following **Auto Cut** settings:



- **Normal Cut** allows margin space at the top and bottom of each image.
- **Double Cut** extends the space between the images and trims each print individually. This provides the cleanest edge for borderless printing.
- **Single Cut** causes the images to be printed end-to-end and saves paper (when you are printing multiple images). With borderless printing, you may see a sliver of the previous or next image. You will see a white margin between print jobs.
- **Off** disables automatic cutting. Choose this setting if you want to operate the cutter manually, use the auto take-up reel, or if you are printing on heavy media that must be cut by hand.

See page 60 for instructions on using the  button to operate the cutter. See page 49 for a list of media that are not recommended for use with the built-in cutter.

Note: These settings override settings made through the control panel.

3. Select either of the following options:
 - **Print Page Line** prints trim lines on the right and bottom edges of your pages.
 - **Save Roll Paper** saves paper by not feeding the blank portion of the last page of your document. Available only when you've selected **Roll Paper (Banner)** as the Paper Source.

Borderless Printing

For true borderless printing on roll paper, you can select either **Auto Expand** or **Retain Size** and create a custom paper size, as described on page 82. Your image may be clipped on the left and right edges, but you can minimize clipping by sizing your image according to the page width and by adjusting the length.

For either setting, you should add 0.1 inch to the length of your custom size.

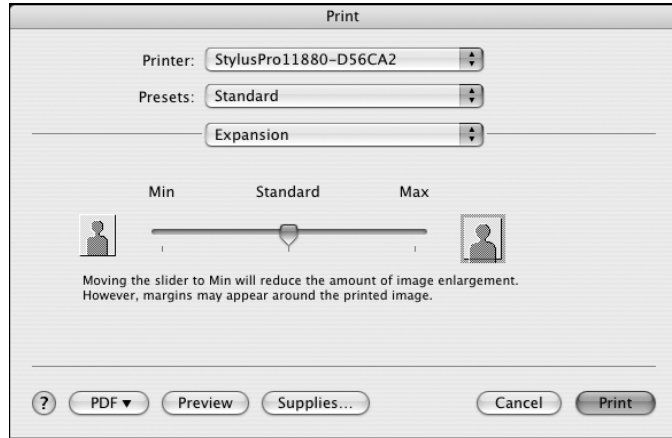
The **Auto Expand** setting provides the best solution for borderless printing with minimal image clipping. Using this setting, you can create a custom paper width equal to the width of the roll media. If you use the **Retain Size** setting, your image width should be slightly wider than the custom paper size.

The following table shows recommended image widths (in inches) for borderless printing using either the **Auto Expand (Standard)** or **Retain Size** setting:

Roll paper width	Image width (with Auto Expand)	Image width (with Retain Size)	Custom Paper Size (for Retain Size only)
10	9.7075	10.34	10.23
13	12.8	13.34	13.23
16	15.8	16.34	16.23
17	16.8	17.34	17.23
24	23.8	24.34	24.23
36	35.8	36.34	36.23
44	43.8	44.34	44.23
50	49.8	50.34	50.23
54	53.8	54.34	54.23

Make sure you set the margins to zero when printing a custom page size for borderless printing.

To control the amount of expansion (with the Auto Expand setting), select **Expansion** from the drop-down menu. You see this screen:



Adjust the slider to increase or decrease the amount of expansion.

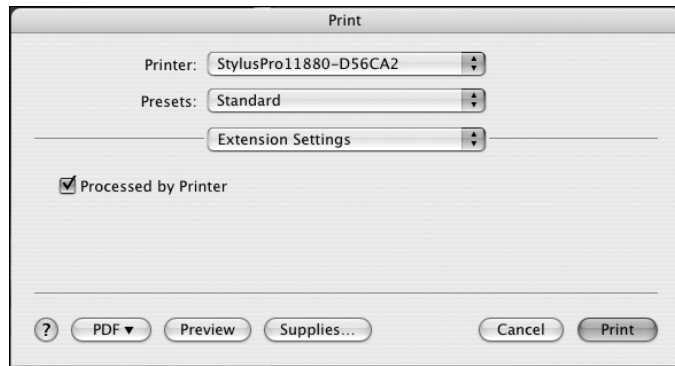
The widths shown in the table on page 91 work with the Standard Expansion setting.

- Use the **Min** setting to minimize the amount of image clipping. You may see a white border around your image.
- Use the **Max** setting to maximize the image width. This will increase the amount of image clipping.

Controlling Image Processing

To make sure the printer runs at the maximum speed, halftone processing takes place in the printer, rather than on your computer. This involves image compression and decompression, and does not affect the quality of your output. You can turn off this feature if you want.

1. Select **Extension Settings** from the drop-down menu.



2. Uncheck **Processed by Printer** if you want to turn off halftone processing in the printer.

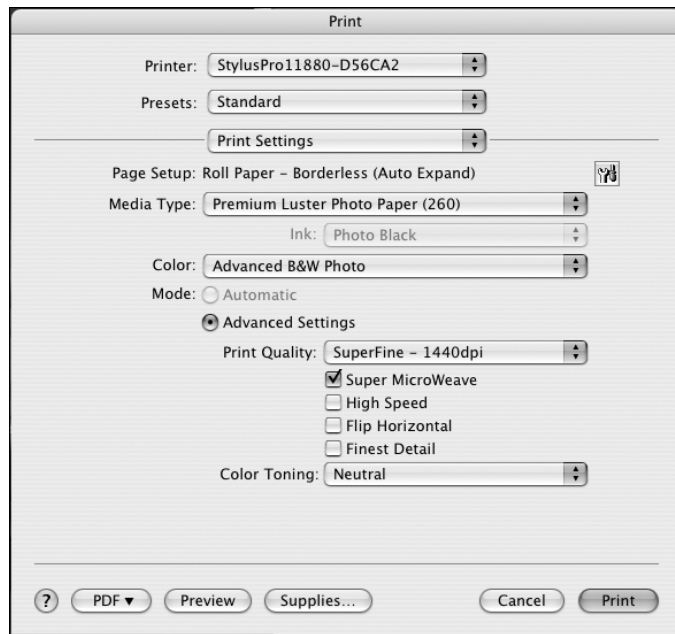
Choosing Advanced Black and White Photo Settings

Advanced Black and White Photo mode allows you to easily produce neutral and toned black-and-white prints using your Epson driver. This mode offers an alternative black and white workflow with settings for more advanced control.

Whether your photo is color or grayscale, you can use this unique screening and color management technology to create stunning black-and-white prints. This mode is only available when printing on certain media types.

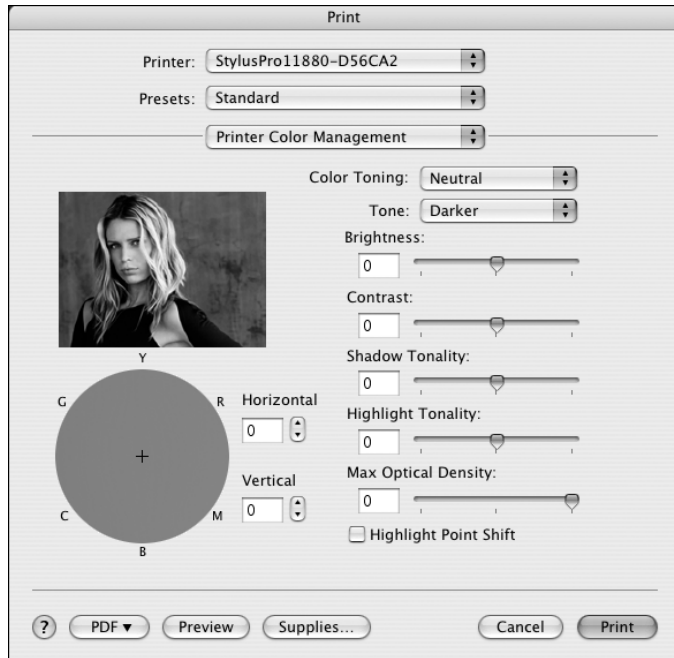
Note: If you are printing from Photoshop, make sure you do not use Photoshop's color management settings when using Advanced Black and White Photo mode. There are no profiles associated with this screening and color management technology.

1. Select **Print Settings** from the drop-down menu. You see this screen:



2. Choose the Media Type setting for the paper you have loaded in the printer.
3. Choose **Advanced B&W Photo** as the Color setting.
4. Uncheck **High Speed** for the best quality.

5. Select **Printer Color Management** from the drop-down menu. You see this screen:



6. Choose the settings that are best for your photo. You can use the photo on the screen as a guide.
 - **Color Toning** allows you to add tone (hue) to your black and white output. The default is Neutral, which will provide you with a neutral tonal scale print. You can also choose other popular presets such as Cool, Warm, and Sepia. Note that the presets will affect the target found in the tone color circle.
 - **Tone** allows you to easily change the entire tonal scale of your black and white output. While **Darker** is the default setting, you may see better results if you choose **Dark**.
 - **Brightness** adjusts the overall lightness and darkness of your image.
 - **Contrast** adjusts the difference between the light and dark areas of your image.
 - **Shadow** and **Highlight Tonality** allow you to control tonality only in the shadow or highlight areas of your image.

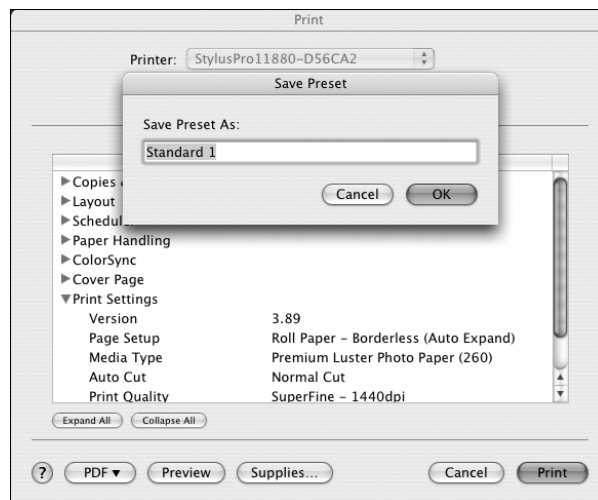
- **Max Optical Density** adjusts the overall density or focus of the print. Create a soft focus print by setting the density lower.
- **Highlight Point Shift** helps to reduce gloss differential by adding density to the highlights of your image.
- The tone color circle adjusts the hue of your black and white print. Click on any portion of the color wheel or enter corresponding values to customize the tone (hue) to add to your print. The closer you select to the edge of the wheel, the more color you will add.
- The preview approximates the image tone based on your settings. Note that this preview always shows the same image and is not color managed. It provides a level of feedback as you make changes.

Creating a Custom Preset and Printing

Once you've made the correct settings for your print job, you can create a custom preset. This will save you time when you use the same profile/printer/ink/media combination for future print jobs.

Note: If you check the settings on each screen in the drop-down menu, go through them carefully from top to bottom. Avoid cycling through them repeatedly, or you may lose your settings.

1. Select **Summary** from the drop-down menu.
2. After verifying that your settings are correct, select **Save As** from the Presets drop-down menu.



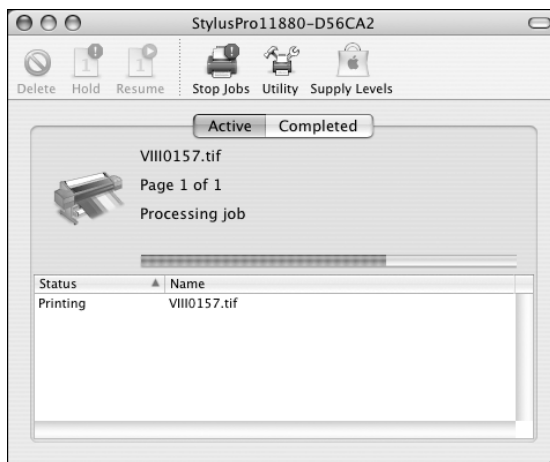
Caution: Do not open and close the Presets menu without typing a name, or you will lose your settings.

3. Type a name, and click OK.
4. When you're ready to print, click the Print button.

Managing Print Jobs

After you click Print, you can monitor the progress of your print job. Follow these steps:

1. Click the icon for your printer on the Dock. If necessary, double-click your printer (print queue) name. You see a screen like this:




Note: You can also cancel a print job on the printer by pressing the **||** Pause button on the control panel and holding it for at least 3 seconds.

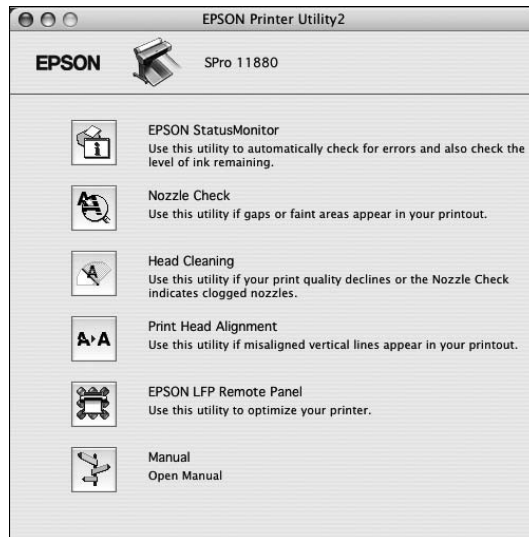
2. From here you can monitor the progress of your print job or do one of the following:
 - Click the print job, then click **Delete** to cancel the job
 - Click the print job, then click **Hold** to pause printing
 - Click a print job marked “Hold” and click **Resume** to resume printing
3. When you're finished, close the print job window, then close your printer window.

Checking Ink Levels and the Maintenance Tank

The Epson Printer Utility lets you check the levels of ink in the printer and the level of the maintenance tanks. You can also run maintenance utilities from this screen. See pages 128 to 129 for instructions.

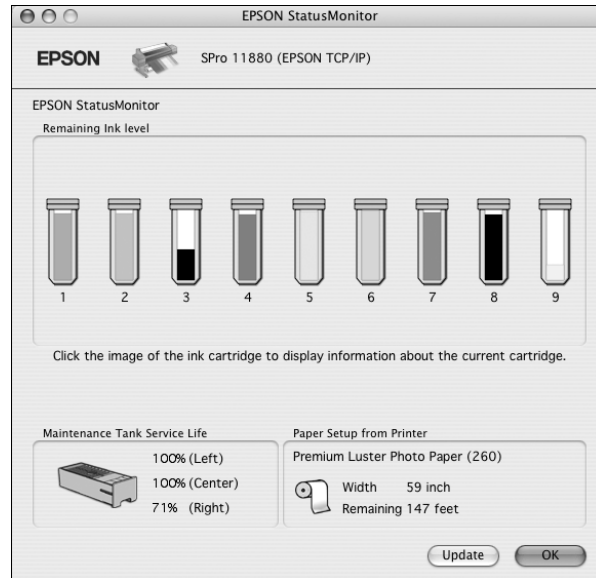
1. Select **EPSON Printer Utility2** from your Applications folder, click the **Utility** button on the print job window, or click  on the printer settings screen.

You see the Epson Printer Utility2 menu:



2. Click the **EPSON StatusMonitor** icon.

The software checks the amount of ink in the printer and maintenance tanks and displays the StatusMonitor window:



3. To recheck the ink levels, click the **Update** button.
4. To close the Status Monitor, click **OK**.

Chapter 4: Printing with Epson Drivers for Windows

Your Epson Stylus Pro 11880 comes with drivers and utilities that let you print and manage print jobs. For the best black and white photography output, the Epson printer driver offers Advanced Black and White Photo mode.

ICC profiles are included, so you can use the color management features in Adobe Photoshop or other applications, or in the driver itself. A color-managed workflow using Photoshop and a color-calibrated monitor will give you the most accurate colors and best output from your printer for color photos.

You can create your own profiles if you have the required hardware and software, or you can have them created by a color specialist. Make sure any profiles you want to use are located in the standard folder for your operating system. When you install the Epson printer driver, the ready-made profiles are automatically copied to the right folder.

Tip: Check the Epson Pro Imaging website at www.proimaging.epson.com for updated drivers and utilities that may become available.

This chapter includes the following information:

- Choosing basic print options
- Selecting the correct Media Type setting
- Choosing color management settings
- Choosing roll paper options
- Choosing cut sheet options
- Choosing paper configuration options
- Choosing advanced black and white photo settings
- Customizing the printer driver
- Managing print jobs

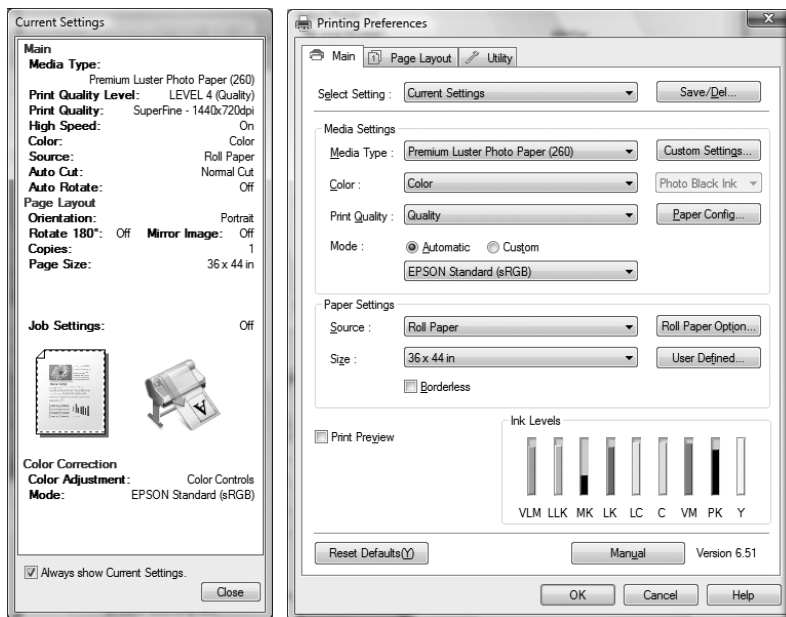
Choosing Basic Print Options

Before you print, you need to set basic printing properties. Make sure you have installed the Epson driver and utilities from the CD-ROM.

The driver offers automatic settings that optimize print quality and speed when you're using Epson media. You can also choose advanced settings for more control over your printer and color management options, as described on page 106.

Follow these steps to make basic settings:

1. Start an application, open the file you want to print, and select **Print** in your application. You see the Print window.
2. Make sure your printer is selected, then click the **Properties** button. Or, if you see a **Setup**, **Printer**, or **Options** button, click it instead. Then click **Properties** on the next screen. You see a window like the following:



Note: If you need more information about print options, you can click the **Help** button on any screen.

This box shows you the current settings, but you can't change them from here

Note: Check the website (www.proimaging.epson.com) or your Epson Professional Imaging authorized reseller for other media that may be available.

3. Select a **Media Type** setting that corresponds to the paper you are printing on. See the table on page 105 for more information.

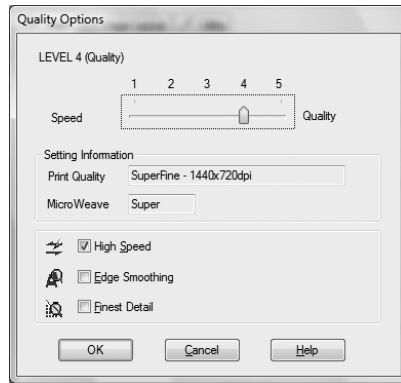
Photo Paper ▶	✓ Premium Luster Photo Paper (260)
Proofing Paper ▶	Premium Glossy Photo Paper (250)
Fine Art Paper ▶	Premium Semigloss Photo Paper (250)
Matte Paper ▶	Premium Glossy Photo Paper (170)
Plain Paper ▶	Premium Semigloss Photo Paper (170)
Others ▶	Premium Glossy Photo Paper
Auto Acquire	Premium Semigloss Photo Paper
	Premium Luster Photo Paper

- If you are using a color-managed workflow, make sure you choose media type and resolution settings that match the ICC profile you are using.
 - If your paper is not listed, check the instructions included with the paper, or check the Epson website (www.proimaging.epson.com). If you are using non-Epson paper, consult the manufacturer for the best setting. You may have to experiment with different settings to determine which one is best for the media you're using.
 - If you have saved custom media type configurations or set up custom paper configurations, you can select them by clicking the **Custom Settings** button. See page 114 for more information about custom paper configurations.
 - If the media type has been set on the printer's control panel, select **Auto Acquire**.
4. For the **Color** setting, select **Color** for any type of photographic printing. Choose **Advanced B&W Photo** if you are printing black and white photos on certain paper types. (For paper types that don't support this option, print black and white photos with the **Color** setting.)

See page 115 for more information about advanced black and white photo printing.

If the media you are using supports both photo black and matte black ink, select the one you want to use.

5. For the **Print Quality** setting, choose **Quality** or **Max Quality**. Or, choose **Quality Options** to display a window like the following:



Use the **Speed/Quality** slider to set the desired quality level. Select from the following additional options, then click **OK**:

- **High Speed** for fast, bidirectional printing at lower quality.
- **Edge Smoothing** to improve the quality of low-resolution images.
- **Finest Detail** for sharper edges on vector-based data including text, graphics, and line art. (This setting does not affect photographs.)

6. Set the **Mode** option as follows:

- Click **Automatic** to have the printer driver analyze the contents of your image or file and make the appropriate printing adjustments.

You can choose one of these settings in the drop-down menu:

The **Charts and Graphs** setting intensifies colors and lightens the midtones and highlights of an image. Use this setting for presentation graphics.

The **EPSON Standard (sRGB)** setting increases the contrast in images. Use this setting for color photographs.

The **Adobe RGB** setting matches image colors to the Adobe RGB color standard.

- Click **Custom**, then follow the instructions in the next section to set color management options.

Selecting the Correct Media Type Setting

The table below lists the settings designed to produce the best results on Epson media.

If your paper is not listed, check the instructions included with the paper, or look on the Epson website (www.proimaging.epson.com). If you are using non-Epson paper, consult the manufacturer for the best setting. You may have to experiment with different settings to determine which one is best for the media you're using.

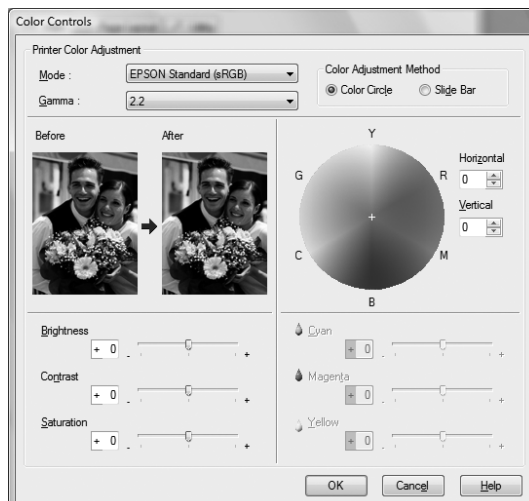
For this media	Select this Media Type setting
Premium Glossy Photo Paper Premium Photo Paper Glossy	Premium Glossy Photo Paper
Premium Glossy Photo Paper (170)	Premium Glossy Photo Paper (170)
Premium Glossy Photo Paper (250)	Premium Glossy Photo Paper (250)
Premium Semigloss Photo Paper Premium Photo Paper Semigloss	Premium Semigloss Photo Paper
Premium Semigloss Photo Paper (170)	Premium Semigloss Photo Paper (170)
Premium Semigloss Photo Paper (250)	Premium Semigloss Photo Paper (250)
Premium Luster Photo Paper Ultra Premium Photo Paper Luster	Premium Luster Photo Paper
Premium Luster Photo Paper (260)	Premium Luster Photo Paper (260)
Premium Semimatte Photo Paper	Premium Luster Photo Paper (260)
Proofing Paper White Semimatte	Epson Proofing Paper White Semimatte
Proofing Paper Publication	Epson Proofing Paper Publication
Doubleweight Matte Paper	Doubleweight Matte Paper
Enhanced Matte Paper Ultra Premium Presentation Paper Matte	Enhanced Matte Paper
Singleweight Matte Paper	Doubleweight Matte Paper
UltraSmooth Fine Art Paper	UltraSmooth Fine Art Paper
Textured Fine Art Paper	Textured Fine Art Paper
Velvet Fine Art Paper	Velvet Fine Art Paper
Somerset Velvet (sheets) Somerset Velvet (roll paper)	Enhanced Matte Posterboard Enhanced Matte Paper

For this media	Select this Media Type setting
Watercolor Paper - Radiant White	Watercolor Paper - Radiant White
PremierArt Water Resistant Canvas	Watercolor Paper - Radiant White
Canvas	Canvas
Enhanced Adhesive Synthetic Paper	Synthetic Paper
Enhanced Matte Posterboard	Enhanced Matte Posterboard

Choosing Printer Color Management Options

If you are using color management settings in Photoshop or another application, it is very important to access the advanced settings and turn off color management in the printer driver, as described on page 107.

1. On the properties window, make sure the Main tab is selected.
2. For the Mode setting, select **Custom**.
3. Choose one of the following and click the **Advanced** button:
 - **Color Controls** lets you specify individual values for adjusting brightness, contrast, saturation, and CMY inks, or choose from the three Printer Color Adjustment modes. You can also choose from two Gamma settings, and use either a color circle or slide bar to adjust color.

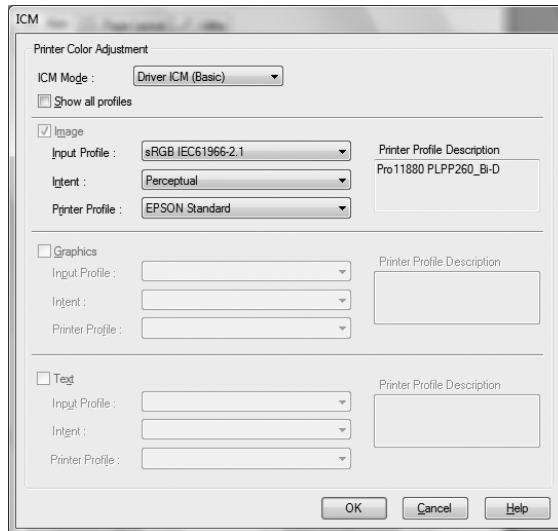


- **PhotoEnhance** allows you to automatically correct images and choose from six Scene Correction settings.



Tip: If you turn off color management, you can still control the ink density, as described on page 115.

- **Off (No Color Adjustment)** disables color management in the printer driver. Choose this mode when you use a color managed workflow in Photoshop or other software.
- **ICM** adjusts colors based on the printer's ICC profile, using the Image Color Matching system. You can choose the input profile and other settings as shown below:



In most cases, you will get better results by applying color management in your application, rather than in the printer driver.

4. Click **OK** to save your settings.

Note: Many application settings override settings in the printer driver. Always verify settings to get the results you expect.

Tip: Creating a user-defined paper size generally lets you make the best use of your roll paper.

Choosing Roll Paper Options

Follow these steps to print on roll paper and select settings for borderless printing and automatic cutting:

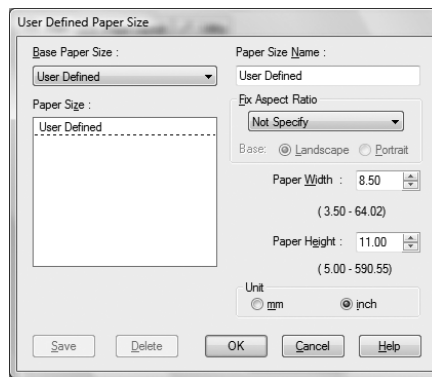
1. On the Properties window, make sure the Main tab is selected.
2. For the Source setting, select **Roll Paper** or **Roll Paper (Banner)**.

The **Roll Paper (Banner)** setting allows you to print a series of continuous images without any margin space between them. This option is not available with all applications, and is mostly for tiling an image.

Save Roll Paper saves paper by not feeding the blank portion of the last page of your document. Available only if you've selected **Roll Paper (Banner)** as the Paper Source.

3. For the **Size** setting, select the size of your image or output paper size.

To make the best use of your roll paper, creating a custom paper size is recommended. Click **User Defined**. You see this window:

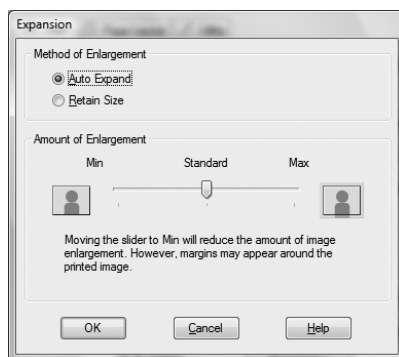


Type a name for your custom size, then enter the size in hundredths of an inch (or centimeters) and click **Save**. Then click **OK**.

4. If you want to reduce or enlarge your image, click the **Page Layout** tab. See page 113 for more information.

5. If you want to print without margins, click **Borderless**. Note that borderless printing takes longer than normal printing. See page 110 for more information about borderless printing.

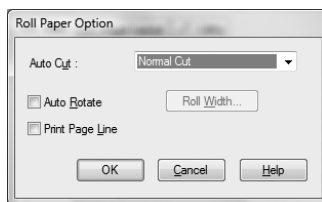
Click the **Expansion** button to select a borderless sizing option. Choose **Auto Expand** or **Retain Size**, then click **OK**:

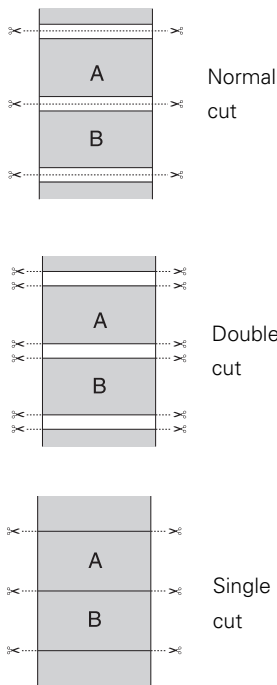


- **Auto Expand** enlarges your image (up to 3%) to fit the size of the paper. You can use the slider to adjust the expansion. Choose **Min** for the least amount of image expansion (with a chance that there will be small borders around the edges) or **Max** for the greatest amount of expansion (some of the image will be cut off around the edges, but it will extend to the edge of the paper).
- **Retain Size** prints your image at the size you specify in your application. You need to size it slightly wider than the paper width if you want to print without borders.

See page 110 for more information about borderless printing.

6. Click **Roll Paper Option**. You see the following window:





7. Choose one of the following **Auto Cut** settings (for borderless printing):
 - **Off** disables automatic cutting. Choose this setting if you want to operate the cutter manually, use the auto take-up reel, or print on heavy media that must be cut by hand. See page 60 for instructions on operating the cutter manually.
 - **Single Cut** causes the images to be printed end-to-end and saves paper (when you are printing multiple images). With borderless printing, you may see a sliver of the previous or next image. You will see a white margin between print jobs.
 - **Normal Cut** allows margin space at the top and bottom of each image.
 - **Double Cut** extends the space between images and trims each print individually. This provides the cleanest edge for borderless printing.

8. Select these additional roll paper options if necessary:
 - **Auto Rotate** saves paper if your document length is shorter than the printable width of the roll. The document is automatically rotated 90 degrees and printed crosswise. Be sure to click **Roll Width** and select the width of your roll paper.
 - **Print Page Line** prints trim lines on the right and bottom edges of your pages.

9. When you're finished, click **OK**.

Borderless Printing

For true borderless printing on roll paper, you can select either **Auto Expand** or **Retain Size** and create a custom paper size, as described on page 109. Your image may be clipped on the left and right edges, but you can minimize clipping by sizing your image according to the page width and by adjusting the length.

For either setting, you should add 0.1 inch to the length of your custom size.

The **Auto Expand** setting provides the best solution for borderless printing with minimal image clipping. Using this setting and the **Retain Size** setting, you can create a custom paper width equal to the width of the roll media.

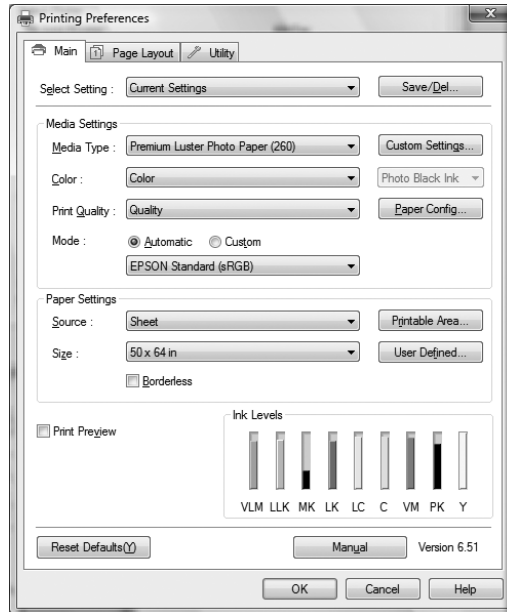
The following table shows recommended image widths (in inches) for borderless printing using either the Auto Expand (Standard) or Retain Size setting:

Roll paper width	Image width (with Auto Expand)	Image width (with Retain Size)	Custom Paper Size
10	9.7075	10.25	10
13	12.8	13.25	13
16	15.8	16.25	16
17	16.8	17.25	17
24	23.8	24.25	24
36	35.8	36.25	36
44	43.8	44.25	44
50	49.8	50.25	50
54	53.8	54.25	54

The widths shown in the table above work with the Standard Expansion setting.

Choosing Cut Sheet Paper Options

1. On the Properties window, make sure the Main tab is selected.
2. For the **Source** setting, select **Sheet**.



3. For the **Size** setting, select the size of the sheet loaded in the printer.
4. If you want to center your image on the sheet, click **Printable Area**, then select **Centered**.
5. If you want to print to the edges of the page, click **Borderless**. Note that borderless printing applies only to the left and right sides of the page on cut sheets; margins are required at the top and bottom of the page. For full-bleed borderless printing, use roll paper, as described on page 108.

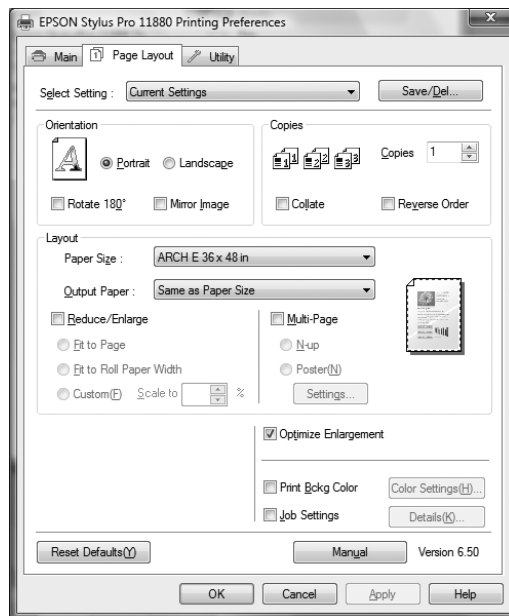
Click the **Expansion** button and choose **Auto Expand** or **Retain Size**:

- **Auto Expand** enlarges your image (up to 3%) to fit the size of the paper. You can use the slider to control the amount of expansion.
 - **Retain Size** prints your image at the size you specify in your application. You need to size it slightly wider than the paper width if you want to print without borders.
6. If you want to reduce or enlarge your image, click the **Page Layout** tab. See the next section for more information.
 7. After making your settings, click **OK**.

Choosing Page Layout Options

You can print a poster-size image, even if your application does not support poster printing. Follow these steps to reduce or enlarge your image:

1. On the Properties window, click the **Page Layout** tab. You see this window:



Note: Select **Landscape** when you want to rotate your image 90°.

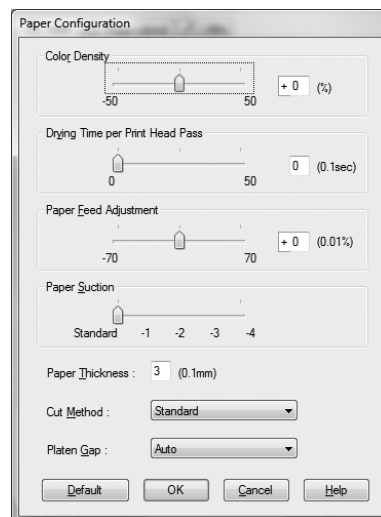
2. Make the settings you want for **Orientation** and **Copies**.

3. Click **Reduce/Enlarge** if you want to have the driver resize your image. You can select **Fit to Page** or select **Custom** and enter a scaling percentage or **Fit to Roll Paper Width**.
4. If you are enlarging your image beyond the limits of your application program, make sure **Optimize Enlargement** is selected. The driver will increase the image size up to 650% and decrease the output resolution to stay within the pixel limitations. Depending on the resolution of the original image and the print size, you may see reduced quality in the print.
5. Click **Print Bkg Color** if you want to print color on the background of the page, then select the color you want to use.
6. Click **Job Settings** if you want to have the time, date, and other information about your print job printed at the top or bottom of the page. Click **Details**, then select the settings you want to use.
7. Click **OK** or **Apply** when you're finished setting Page Layout options.

Choosing Paper Configuration Options

1. If you are using non-Epson media and you need to fine-tune its performance, click the **Paper Config** button. You see the following:

Note: You may need to change the Color Density setting if your custom profile was created to optimize D-max and color gamut.



Select the correct settings to match your ICC profile. These settings override any paper configuration settings you may have made using the printer's control panel.

- **Color Density** lets you control the ink saturation level (for example, when you turn off color management in your printer software).
- **Drying Time per Print Head Pass** lets you print with non-Epson media and avoid smearing the ink. You can make the print head wait up to 5 seconds after each pass to allow ink to dry.
- **Paper Feed Adjustment** helps reduce banding. Choose a lower value if you see white lines on your prints, or a higher value if you see dark lines.
- **Paper Suction** lets you decrease the paper suction level when printing on thinner papers (less than 12 lb), such as CAD drafting paper.
- **Paper Thickness** helps reduce vertical banding and creates a sharper image when printing on unusually thick or thin paper.
- **Cut Method** decreases the cutting blade pressure for thinner media, and adjusts the speed for thick media. You may need to experiment to determine the best setting for your paper.
- **Platen Gap** lets you fine-tune the setting for various paper thicknesses.

2. When you finish setting Paper Configuration options, click OK.

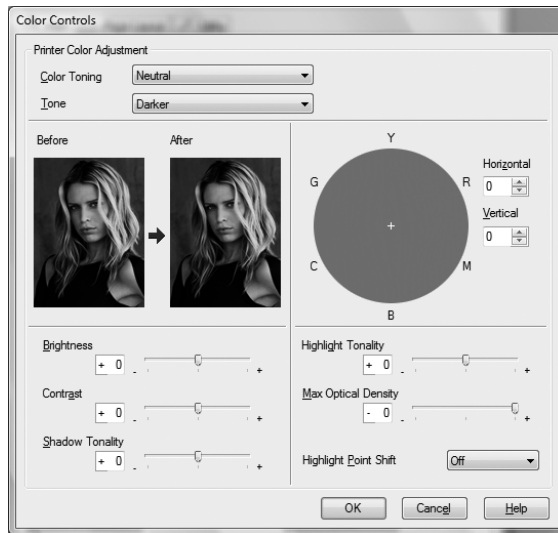
Choosing Advanced Black and White Photo Settings

Note: If you are printing from Photoshop, make sure you do not use Photoshop's color management settings when using Advanced Black and White Photo mode. There are no profiles associated with this screening and color management technology.

Advanced Black and White Photo mode allows you to easily produce neutral and toned black-and-white prints using your Epson driver and offers an alternative black and white workflow. Advanced Black and White Photo mode also provides settings for more advanced black and white control.

Whether your photo is color or grayscale, you can use this unique screening and color management technology to create stunning black-and-white prints. This mode is available only when printing on certain media types.

1. On the properties window, make sure the Main tab is selected.
2. Choose the Media Type setting for your paper.
3. For the Color setting, choose **Advanced B&W Photo**.
4. For the Mode setting, select **Custom**, select **Color Controls**, then click **Advanced**.



5. You can adjust the following advanced black and white photo settings:
 - **Color Toning** allows you to add tone (hue) to your black and white output. The default is Neutral, which will provide you with a neutral tonal scale print. You can also choose other popular presets such as Cool, Warm, and Sepia. Note that the presets will affect the target found in the tone color circle.
 - **Tone** allows you to easily change the entire tonal scale of your black and white output. While **Darker** is the default setting, you may see better results if you choose **Dark**.
 - **Brightness** adjusts the overall lightness and darkness of your image.
 - **Contrast** adjusts the difference between the light and dark areas of your image.

- **Shadow and Highlight Tonality** allow you to control tonality only in the shadow or highlight areas of your image.
- **Max Optical Density** adjusts the overall density or focus of the print. Create a soft focus print by setting the density to lower.
- **Highlight Point Shift** helps to reduce gloss differential by adding density to the highlights of your image.
- The tone color circle click adjusts the hue of your black and white print. Click on any portion of the color wheel or enter corresponding values to customize the tone (hue) to add to your print. The closer you select to the edge of the wheel, the more color you will add.
- The preview approximates the image tone based on your settings. Note that this preview always shows the same image and is not color managed. It provides a level of feedback as you make changes.

Customizing the Printer Driver

You can save groups of settings or media settings, then select them for future print jobs.

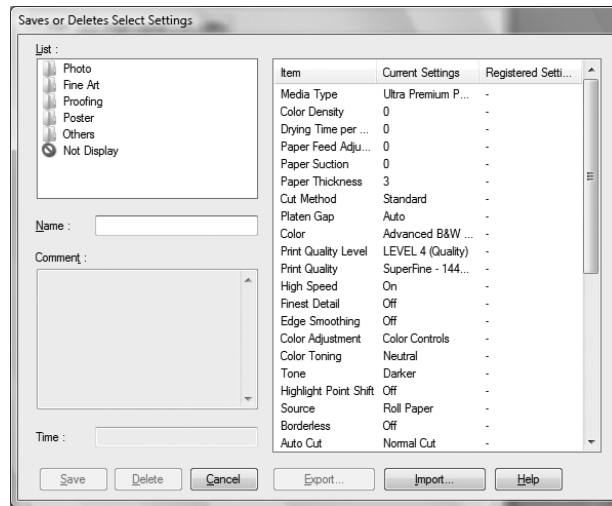
You can also add, delete, or hide items on the printer driver windows. You can export or import custom settings. This provides a convenient way to share these settings with other users.

Saving and Sharing Custom Driver Settings

Once you've made the correct settings for your print job, you can save them as a custom setting. This will save you time when you use the same profile/printer/ink/media combination for future print jobs.

1. Click **Save/Del** at the top of the screen (on the Main or Page Layout tab).

You see a window like the following:



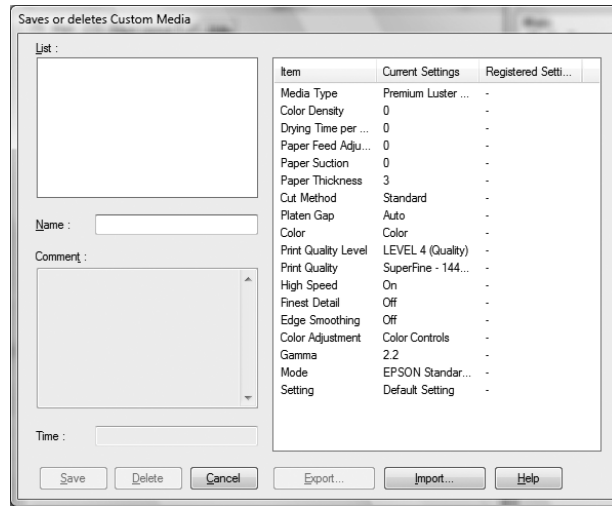
2. After verifying that your settings are correct, enter a name for the settings, then click **Save**.
 - After you have saved your custom settings, you can select them from the **Select Settings** list.
 - To export the settings, click **Export**, then select a location and enter a file name.
 - To import settings, click **Import**, select the file you want to use, and click **Open**.

Saving and Sharing Custom Media Settings

You can also save and share custom media settings.

1. Adjust the Media Settings on the Main tab of the properties window.
2. Click **Custom Settings**.

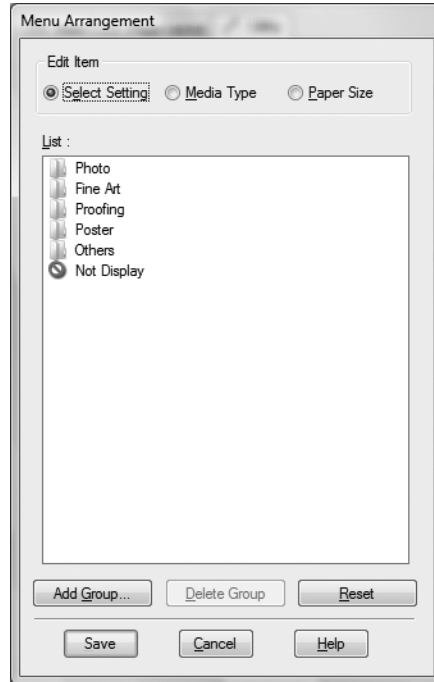
You see a window like the following:



3. After verifying that your settings are correct, enter a name for the settings, then click **Save**.
 - After you have saved your custom media settings, you can select them from the **Media Type** list.
 - To export the settings, click **Export**, then select a location and enter a file name.
 - To import settings, click **Import**, select the file you want to use, and click **Open**.

Editing Printer Driver Settings

1. On the properties window, click the Utility tab, then select Menu Arrangement.



2. Select the item you want to edit. You can do the following:
 - Drag and drop the items to rearrange them
 - Add or delete groups
 - Move unused items into the Not Display group
3. When you're finished, click **Save**.

Managing Print Jobs

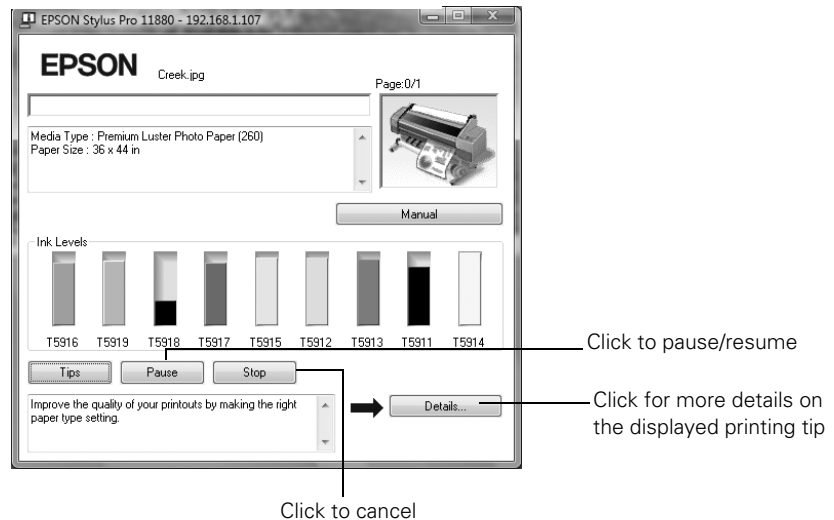
Your printer comes with several utilities that let you check on your print jobs and cancel, pause, or restart them.

The Progress Meter opens each time you send a print job. Status Monitor 3, which appears on the taskbar when you print, lets you check the printer's status and monitor print jobs.

Using the Progress Meter

After you send a print job, the Progress Meter window appears:

Note: You can also cancel a print job by pressing the **||** Pause button on the printer and holding it for at least 3 seconds.



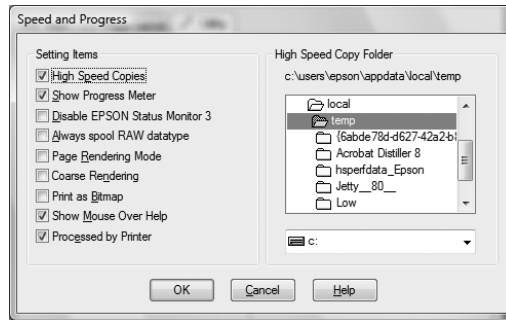
You can use the buttons to cancel, pause, or restart your print job. You also see how much ink you have left and view printing tips.

If you don't want the Progress Meter to appear, you can turn it off. See the following section for instructions.

Optimizing Print Speed

You can use the Speed and Progress utility to improve printing speed.

1. Click the Utility tab, then click the **Speed & Progress** button. You see the Speed & Progress window:



Note: If you want to disable display of the progress meter during printing, you can click the **Show Progress Meter** checkbox to deselect it.

2. Select from the following options:
 - **High Speed Copies** speeds up printing of multiple copies of the same document using hard disk space as a cache. If you have multiple hard drives, you can select a different drive to spool to.
 - **Show Progress Meter** lets you control whether or not the Progress Meter is displayed when you send a print job.
 - **Disable EPSON Status Monitor** disables the monitoring utility.
 - **Always spool RAW datatype** lets you spool documents using the RAW format instead of the EMF (metafile) format. Because the RAW format requires fewer resources, printing is faster and you can avoid certain problems, such as insufficient memory or disk space.
 - **Page Rendering Mode** speeds printing by rendering the entire page. Use this setting if print speed is extremely slow or the print head stops for a few minutes while printing. Printing will take longer to start.
 - **Coarse Rendering** allows you to override the length or width limitations in applications (such as Photoshop) that restrict the number of pixels you can print.
 - **Print as Bitmap** allows large or complex vector graphics to print faster in Adobe Acrobat® or any other non-image based application.

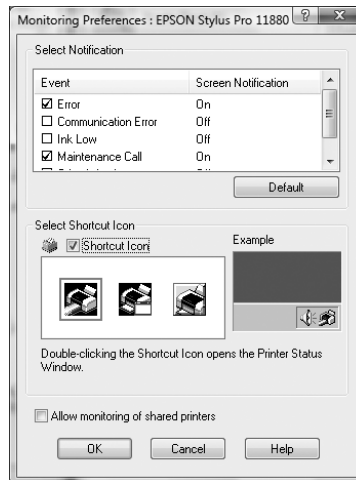
- **Show Mouseover Help** lets you turn off the tool tips that appear when you move your mouse over the screen.
- **Processed by Printer** lets you control halftone processing in the printer. This feature speeds up processing, especially for older computers, and ensures that the printer runs at maximum speed. This involves image compression and decompression, and does not affect the quality of your output.

3. Click **OK** to save your settings.

Setting Monitoring Preferences

You can choose when and how you want to be notified of problems, whether you want a Status Monitor 3 icon to appear on your Windows taskbar, and whether you want to allow monitoring by other users who share the printer.

1. Click the **Utility** tab, then click the **Monitoring Preferences** button. You see the Monitoring Preferences window:



2. Select the notification options you want to use if various printing events occur.

3. If you want to have the Status Monitor 3 icon appear in your Windows taskbar, click the **Shortcut Icon** checkbox. Then select the icon to use.

When the shortcut is enabled, you can simply double-click the icon to open the Status Monitor 3 window or right-click it, then select **Monitoring Preferences** in the pop-up menu.

4. Select **Allow monitoring of shared printers** if your printer is shared and you want to let other users monitor it.
5. Click **OK** to save your settings.

Chapter 5: Maintaining and Transporting the Printer

The Epson Stylus Pro 11880 requires little maintenance to keep working at its best. This chapter describes the following routine procedures:

- Checking printer status
- Checking and cleaning the print head
- Aligning the print head
- Replacing ink cartridges
- Changing the date and time
- Performing additional maintenance tasks
- Replacing the paper cutter blade
- Replacing the maintenance tanks
- Cleaning the printer
- Transporting or storing the printer

In addition to the features described in this chapter, you can also use the menu system on the printer to fine-tune a variety of printer settings. For more information, see the electronic *Epson SP 11880 User's Guide* on your computer or on the printer CD-ROM.

Checking Printer Status

Using the control panel, you can check the amount of ink remaining, the total number of prints, the status of your maintenance tanks, and other information. You can print out a status check or view the printer's status on the LCD display.

Printing Status Information

The status check sheet shows some of the current default settings, the amount of ink remaining in each cartridge, the page count, and the status of various printer parts.

Follow these steps to print the status check sheet:

1. Make sure paper is loaded in the printer.
2. Press **▶** **Menu**.
3. Press **▼** to select **TEST PRINT**, then press **▶**.
4. Press **▼** to select **STATUS SHEET**, then press **▶**.
5. Press **↵** to start printing.

The amount of ink left or maintenance tank capacity is indicated as follows:

E[*****]F = 100–81% of ink or maintenance tank capacity remaining

E[****]F = 80–61%

E[***]F = 60–41%

E[**]F = 40–21%

E[*]F = 20–11%

% = less than 10% of ink or maintenance tank capacity remaining

Viewing Status Information

To view printer status information instead of printing it, follow these steps:

1. Press ► Menu.
2. Press ▼ to select **PRINTER STATUS**, then press ►.
3. Do one of the following:
 - To check the firmware version, press ► again. When done, press ◀.
 - To check the number of pages that can be printed with each ink cartridge, press ▼ to select **PRINTABLE PAGES**, then press ►. Press ▼ to view the number of pages remaining for each cartridge. When done, press ◀.
 - To check the amount of ink left, press ▼ to select **INK LEVEL**, then press ►. The percentage of ink left in the first cartridge is displayed. Continue pressing ▼ to see the status of the remaining cartridges. When done, press ◀.
 - To check how much capacity the maintenance tanks have, press ▼ to select **MAINTENANCE TANK**, then press ►. The percentage remaining for each tank is displayed. As the tank is filled, the percentage drops. When done, press ◀.
 - To check the amount of ink used (in milliliters) and paper used (in centimeters), press ▼ to select **USAGE COUNT**, then press ►. Clear this setting with the **CLEAR USAGE COUNT** option.
 - To check job history, press ▼ to select **JOB HISTORY**, then press ►. For the last 10 print jobs saved in the printer, you see the ink used (in milliliters) and paper used (in square centimeters). The most recent job is saved as No. 0. When done, press the ◀ button.
 - To check the total number of prints, press ▼ to select **TOTAL PRINTS**, then press ►. When done, press ◀.
 - To check the EDM status of the printer, press ▼ to select **EDM STATUS**, then press ►. (EDM is a future enhancement.) When done, press ◀.
4. Press the || Pause button to exit the menu.

Note: You can change the units of measurement from centimeters to inches and feet using maintenance mode on the printer's control panel. See page 137 for instructions

Note: You can run a cleaning cycle by holding down the ► button for three seconds. You can also use the printer's Maintenance menu to run a power cleaning cycle or clean the nozzles for pairs of colors. See page 131 for details.

Checking and Cleaning the Print Head

If your printed image shows a color shift or horizontal lines, you should check the print head to see if any nozzles are clogged or deflected. Then you can run a cleaning cycle to clear the nozzles.

You can also turn on Auto Nozzle Check from the printer's control panel. The printer will then check the nozzles periodically or before each print job and clean them if necessary.

Running the Nozzle Check and Head Cleaning Utilities

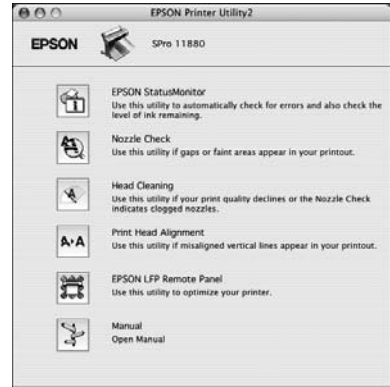
You can use your printer software to check the print head nozzles, then examine the pattern to determine whether any nozzles are clogged or deflected.

1. Make sure paper is loaded in the printer.
2. Do one of the following to access the printer utilities:
 - **Mac OS X:** Open the **Epson Printer Utility2** in your **Applications** folder. Select your printer and click **OK**.
 - **Windows Vista or XP:** Click **Start** and select **Control Panel**. Select **Printers** or **Printers and Faxes**. Right-click your printer icon and select **Printing Preferences**. Click the **Utility** tab.

You see a menu like the following:

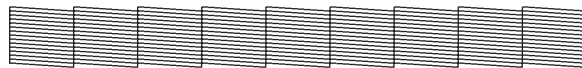


Windows

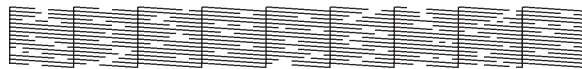


Macintosh

3. Select the **Nozzle Check** icon.
4. Follow the instructions on the screen.
5. After the pattern is printed, use at least a 30× eye loupe to examine it.
 - If the pattern looks good as shown below, the print head is clean.



- If any dots or segments are missing or deflected as shown below, run a cleaning cycle from your computer or by pressing and holding the ► button for at least 3 seconds. Then print another nozzle check pattern to make sure the nozzles are clean.



Caution: Don't run a cleaning cycle while thick media is loaded in the printer.

- If the nozzles are still clogged after three cleaning cycles, run a power cleaning cycle as described page 131.

Using the Control Panel Menu

You can print a nozzle check from the control panel and examine it to determine whether any nozzles are clogged or deflected. Then you can run a cleaning cycle by pressing and holding the ► Menu button.

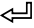
Follow these steps to print the nozzle check pattern.

1. Press ► Menu.
2. Press ▼ until TEST PRINT is selected, then press ►. NOZZLE CHECK is selected.
3. Press ►, then press ⇐ to start printing the nozzle check pattern.
4. Follow the instructions on page 129 to examine the nozzle pattern.

Automatically Checking and Cleaning the Print Head

The printer automatically checks the nozzles and cleans them if necessary. You can specify how often you want this to happen or turn this feature off. You can also have a nozzle check pattern printed on a regular basis, so you can check it yourself.

1. Press ► Menu. PRINTER SETUP is selected. Press ► again.
2. Press ▼ until AUTO NOZZLE CHECK is selected, then press ►.
3. Select one of the following, then press ⇐:
 - ON: PERIODICALLY—The printer periodically checks its nozzles and runs a cleaning cycle if necessary (default).
 - ON: EVERY JOB—The printer automatically checks its nozzles and runs a cleaning cycle if necessary before each print job. This process uses a very small amount of ink (and no paper) and is recommended if you are running large print jobs unattended.
 - OFF—The printer will not perform automatic nozzle checks and cleaning cycles.
4. Press ◀, then select PRINT NOZZLE PATTERN and press ►.









5. Select **ON: EVERY PAGE** to have the nozzle check pattern printed before each print job, or **ON: EVERY 10 PAGES** or **OFF**. These settings take effect only when you print on roll paper.
6. Press  to save the setting.

Running a Power Cleaning Cycle

You can run a power cleaning cycle from the control panel (or from the Epson LFP Remote Panel) if the normal cleaning process is not sufficient to clear the nozzles. However, the power cycle uses a large quantity of ink, so it is recommended only as a last resort.

You can also run power cleaning for each pair of ink colors.

The cartridges need to be at least 50% full to use power cleaning. You may need to replace a low cartridge to run the cleaning cycle. After cleaning, you can reinsert the old cartridge.

1. Print a nozzle check to make sure the print head needs cleaning, as described on page 130.
2. Make sure the printer is ready and the red  **ink Check** light on the printer's control panel is not on or flashing.
3. Press  **Menu**.
4. Press  until **MAINTENANCE** is selected, then press .
5. Press  until **PWR CLEANING** is selected, then press . Press  to start the power cleaning.
6. When cleaning is finished and the  **Pause** light stops flashing, print the nozzle check again to confirm that the head is clean.

For effective cleaning, always run a nozzle check between cycles.

If the pattern is still missing segments or has deflections after a power cleaning cycle, turn the printer off and leave it overnight, then clean the print head again the following morning with regular cleaning cycles. If you still see no improvement, contact Epson for assistance.

Caution: Don't run a cleaning cycle while thick media is loaded in the printer.

Note: You must use at least a 30× eye loupe to examine the nozzle check pattern for deflected nozzles.

Aligning the Print Head

Aligning the print head is the most important thing you can do to ensure the best print quality. If banding appears on your prints, if they look grainy or blurry, or if you see misregistration or “ghosting,” you need to align the print head.

Although you can align the print head using the printer utility software, it’s also easy to align from the printer’s control panel. This will do the most thorough job in the shortest time, and it’s all automatic.

If you haven’t already done so, it’s a good idea to run a nozzle check before aligning the print head (page 130). This ensures that the print head alignment patterns print correctly.

Follow these steps to align the print head using the control panel:

Tip: To properly align the print head, you can also use Epson Doubleweight Matte Paper or Premium Luster Photo Paper.

1. Make sure the printer is turned on. Then load Epson Enhanced Matte paper.
2. Press **▶ Menu**.
3. Press **▲** or **▼** until **HEAD ALIGNMENT** is selected, then press **▶**. **PAPER THICKNESS** is selected.
4. Press **▶**, then select the paper type loaded in the printer and press **↵**.
5. Press **◀** twice to back up, then select **SELECT THICKNESS** and press **▶**.
The 8 mil (0.2 mm) setting is selected by default. This is the correct setting for most Epson papers.
6. Press **↵** to save the setting.
7. Press **◀** twice, then press **▼** to highlight **ALIGNMENT**.
8. Press **▶** to select **AUTO**, then press **▶** again. **UNI-D** (uni-directional) is highlighted. This is the type of alignment to start with.
9. Press the **↵** button to start the alignment process.

Each head alignment takes about 7 minutes. The printer's white beam sensor reads the alignment pattern and adjusts the printer automatically. Make sure you don't open the front cover or turn off the printer during this process.

10. When the uni-directional alignment is finished, press the ▼ button until BI-D 2-COLOR is highlighted. Then press the ⏪ button to start the bi-directional black alignment process.
11. When the bi-directional black alignment is finished, press the ▼ button until BI-D ALL is selected. Then press the ⏪ button to start the alignment process.
12. When done, press the ■ Pause button to exit head alignment mode.







If you want to fine-tune the automatic alignment process, you can perform a manual head alignment. For instructions, see the electronic *Epson SP 11880 User's Guide* on your computer or on the printer software CD-ROM.

Replacing Ink Cartridges

Tip: You can store partially used ink cartridges for up to 6 months. If you do so, Epson recommends covering the openings with tape.

Before you begin a large print job, you should check your ink levels. If one of your cartridges is low, you can replace it before you start. Or you can wait until the ink runs out, replace the cartridge, and then continue the job without any loss of print quality. However, it is best to replace a low ink cartridge before starting a large print job.

The easiest way to check ink levels is from the control panel LCD display. The numbers below the ink icons on the LCD display correspond to the 9 ink cartridge slots on the printer. The icons show the approximate amount of ink remaining as follows:

 Full	 Ink low (flashing) Letters indicate ink color.
 Half full	 Ink expended
 20% or less	 Cartridge error or no cartridge

When the red ● ink check light (and the ink status light) is flashing (and INK LOW appears on the LCD display), the indicated cartridge is almost out of ink. Make sure you have a replacement cartridge. When the lights stay on and NOT ENOUGH INK is displayed, the cartridge is expended. You must replace the cartridge before you can continue printing.

Note: We recommend that you use genuine Epson cartridges and do not refill them. The use of other products may affect your print quality and could result in printer damage.

Cartridge yields vary considerably based on images printed, print settings, paper type, frequency of use, and temperature. For print quality, a small amount of ink remains in the cartridge after the “replace cartridge” indicator comes on.

Caution: Leave the low or expended cartridge in the printer until you are ready to replace it.

To prevent ink reporting errors, never replace the ink cartridges with the printer turned off.

Note: If the ink compartment doesn’t open when you press the button, insert the end of a paper clip in the small hole on the upper left corner.

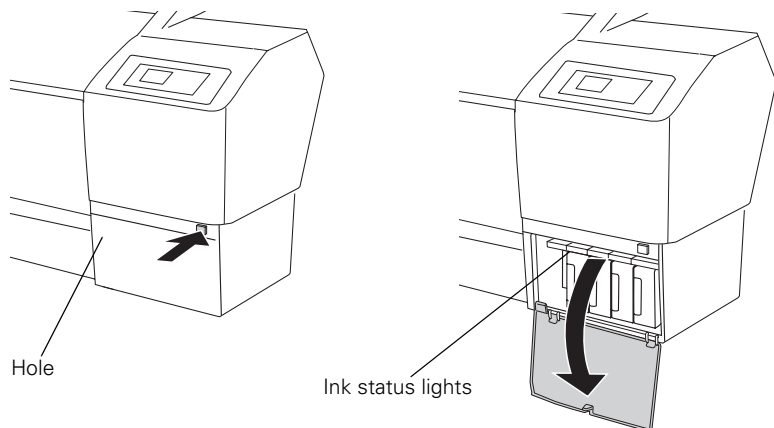
Use the following Epson UltraChrome K3 Epson ink cartridges:

Slot no.	Cartridge	Part number
1	Vivid Light Magenta	T591600
2	Light Light Black	T591900
3	Matte Black	T591800
4	Light Black	T591700
5	Light Cyan	T591500
6	Cyan	T591200
7	Vivid Magenta	T591300
8	Photo Black	T591100
9	Yellow	T591400

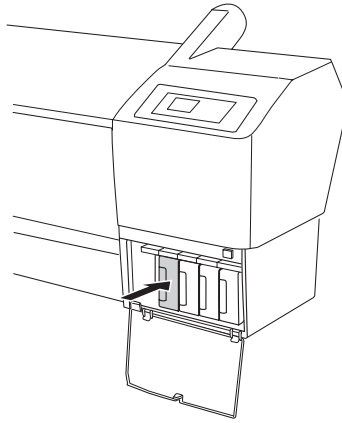
You can purchase genuine Epson ink and paper from an Epson Professional Imaging authorized reseller. To find the nearest reseller, visit www.proimaging.epson.com (U.S. sales), www.epson.ca (Canadian sales), or call 800-GO-EPSON (800-463-7766). Or you can purchase online at www.proimaging.epson.com (U.S. sales) or www.epson.ca (Canadian sales).

Before you start, make sure the printer is powered on. Then follow these steps to replace an ink cartridge:

1. Note the color of the cartridge whose icon and abbreviation is on or flashing. This is the cartridge you need to replace.
2. Press the ink cover button to unlock the ink bay, then open the cover.

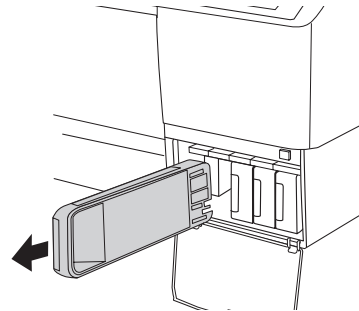


3. Push in the expended cartridge to release it.

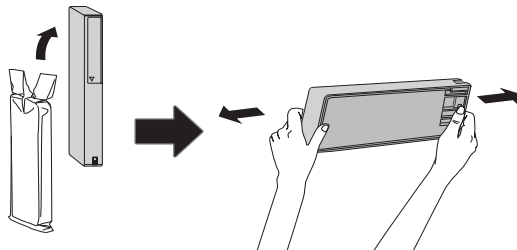


WARNING: Do not shake the expended cartridge, or ink may leak out. If ink gets on your hands, wash them thoroughly with soap and water. If ink gets in your eyes, flush them immediately with water.

4. Remove the expended ink cartridge from the printer. It's a good idea to save a set of expended cartridges so you can use them for transporting the printer, if necessary.

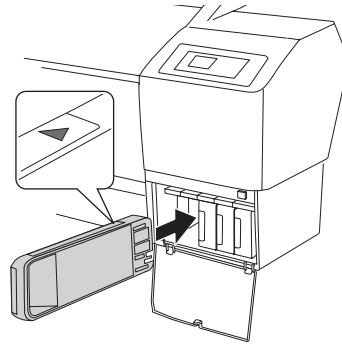


5. Make sure the replacement cartridge is the correct color and remove it from its package. Shake the cartridge well before installing it.



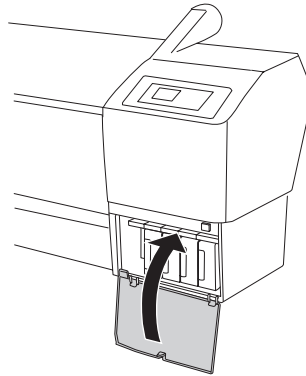
Caution: Do not touch the green chip on the side of the cartridge. Doing so may prevent normal operation and printing. Do not touch the black parts inside the ink bay.

6. Hold the cartridge with the arrow pointing toward the printer. Then insert the cartridge into the slot until it clicks in place. Don't force it in.



Caution: Do not remove and re-insert cartridges more often than necessary. Doing so can compromise the needle valve seal and allow air to enter the ink tubes, causing nozzle loss.


7. Close the ink cover.



Once the cartridge is installed, the printer returns to its **READY** state.

Changing the Date and Time

1. Press **▶** Menu.
2. Press **▼** until **MAINTENANCE** is selected, then press **▶**.
3. Press **▼** until you see **CLOCK SETTING**, then press **▶**.
4. Use the **▼**, **▲**, and **▶** buttons to set each item in the date and time, displayed in the following format: **MM/DD/YY HH:MM**.









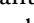









5. Press  to save the setting.

Using Maintenance Mode

Maintenance mode allows you to make special settings and perform maintenance procedures that may be needed occasionally. You can use maintenance mode to do the following:

- Change the language or units of measurements used on the printer's control panel menus
- Change the default pressure setting for the automatic cutter
- Run a “super strong” cleaning cycle
- Enable power on roll paper feed
- Return all of the printer's control panel settings to their default values

Follow these steps to use maintenance mode:

1. Make sure the printer is turned off.
2. Press and hold the  Pause button, then press the  Power button and hold it until the printer turns on and displays **MAINTENANCE**.
3. Use the  and  buttons to select the settings described below. If you need to back up to the previous menu level, press .
 - To change the language on the LCD display, press  to select **LANGUAGE**, then press . Press  until you see the language you want, then press  to select it. The printer exits maintenance mode and returns to normal operation.
 - To change the units of measurement, press  to select **UNIT**, then press . Press  to switch from **METER** to **FEET/INCH**, then press  to select it.
 - To change the default cutting pressure, press  to select **CUT PRESSURE**, then press  to display 100%. Press  to decrease the pressure, or the  button to increase it (in 1% increments). Press  to select the setting you want.

- To run a super strong cleaning cycle, press ▼ to select **SS CLEANING**, then press ► to display **EXEC**. Press ⏪ to start the cleaning cycle.
 - To enable roll paper feeding at power-on, press ▼ to select **PWR ON ROLL PPR FEED**, then press ►. Press ▼ to select the setting you want, then press ⏪ to save it.
 - To return all control panel settings to their default values, press ▼ to select **DEFAULT PANEL**, then press ► to display **EXEC**. Press ⏪ to restore the default settings.
 - The **CUSTOM** setting is for a future enhancement.
4. To exit maintenance mode, turn off the printer by pressing the ⏻ Power button. Press the ⏻ Power button again to turn on the printer in the normal operating mode.

Replacing the Paper Cutter Blade

If you notice that your paper isn't being cut cleanly, the cutter blade may need to be replaced. If you use the blade to cut heavy stock, you will damage the blade and need to replace it. See page 49 for a list of media that do not work with the cutter.

You can check the status of your cutter by printing the status check sheet or viewing its status on the control panel. See page 127 for instructions.

You can obtain a new cutter blade from Epson (part number C12C815291).

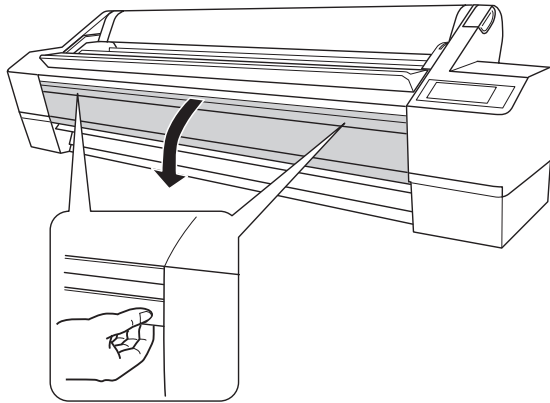
Removing the Old Blade

Make sure the printer is on, then follow these steps to remove the blade:

1. Press ► **Menu**.
2. Press ▼ until **MAINTENANCE** is selected, then press ►.
3. Select **CUTTER REPLACEMENT**, then press ►.
4. Press the ⏪ button. The paper cutter holder moves to the replacement position.

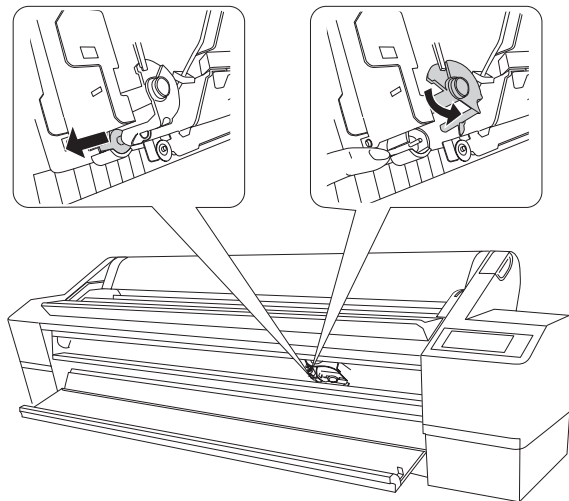
Caution: Do not try to slide the carriage by hand, or you may damage the printer.

5. Open the front cover.



6. Locate the cutter assembly with a blue plastic cover on the left side of the print head.
7. Hold down the side pin as shown and turn the latch to the right.

Caution: To avoid damaging the printer, make sure you don't push the side pin in too far. Do not touch the black parts inside the printer or the cables around the print head.

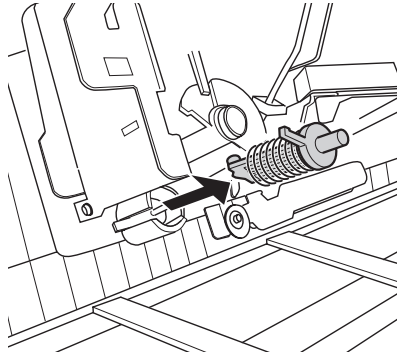


WARNING: The blade is sharp. Be careful when removing it.

8. Release the side pin carefully. The cutter pops out.

Caution: Wrap the used cutter blade and dispose of it according to local regulations.

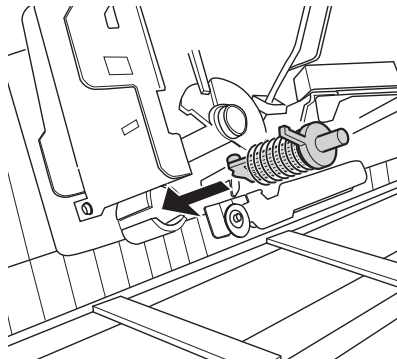
9. Carefully remove the cutter blade.



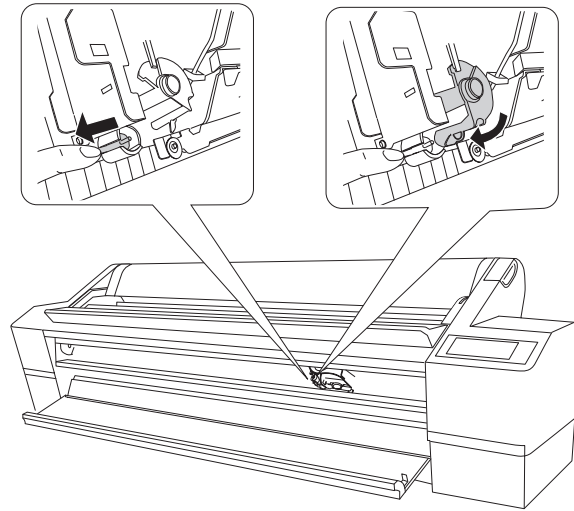
Installing the New Cutter Blade

Remove the new blade from its package, then follow these steps to install it:

1. Insert the new cutter as shown. Make sure the spring doesn't pop out.



2. Push down on the side pin while turning the latch to the left.

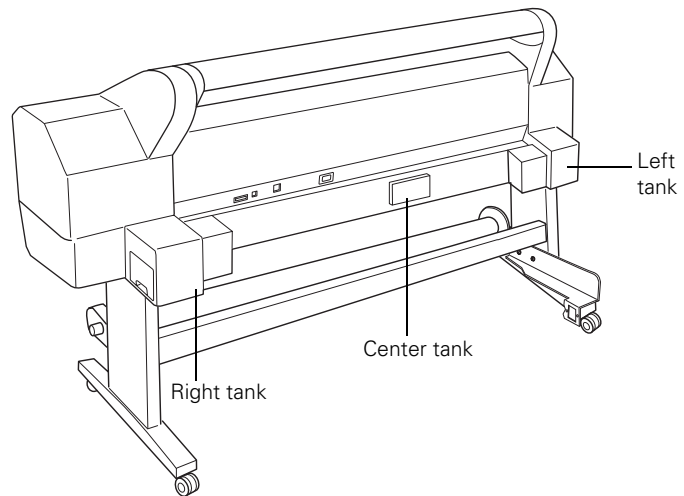


Note: The print head nozzles may dry out while you replace the cutter blade, so make sure you run a nozzle check after you are finished. See page 130 for instructions.

3. Close the front cover. The cutter moves to the home (far right) position.

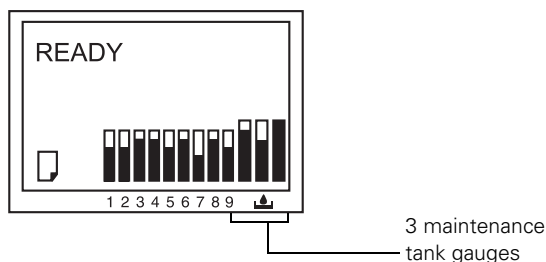
Replacing the Maintenance Tanks

The maintenance tanks store ink that gets flushed from the system during the initial ink charge and manual and automatic print head cleaning. The three maintenance tanks are located on the back of the printer as shown:



When one of the tanks is almost full, the message **NOT ENOUGH CAPACITY, REPLACE THE XXX MAINTENANCE TANK** appears on the LCD display, indicating which tank is almost full. When the tank is completely full, the printer stops working and **MAINT TANK FULL** appears on the LCD, along with an indication of which tank is full.

You can check how much space remains in the maintenance tanks by viewing the gauges on the control panel, shown below. You can also check the tanks using Epson Status Monitor on your computer, using the printer's menu (see page 127), or by printing a nozzle check sheet (see page 130).



The icons show the approximate space remaining in the tank as follows:

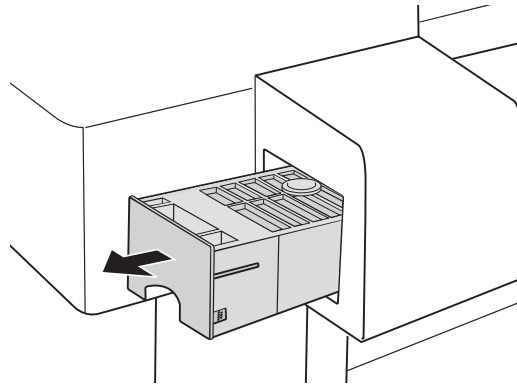


The printer will not print if one of the maintenance tanks is full. Use this replacement tank: C12C890191.

Follow these steps to replace the tank:

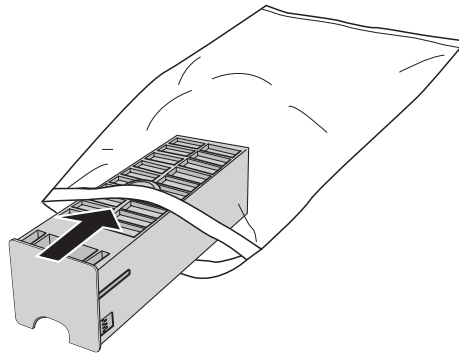
1. Check the LCD display to determine which tank needs to be replaced.
2. Unpack the new maintenance tank.

3. Grasp the handle at the bottom of the maintenance tank and gently pull it straight out of the printer.

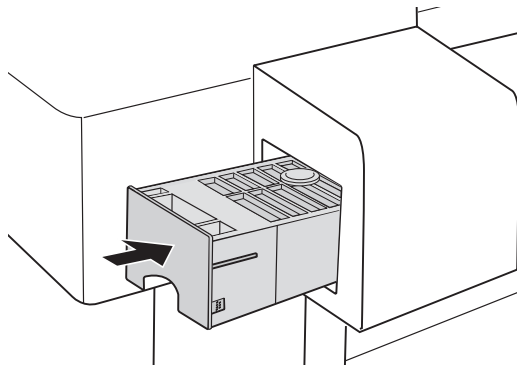


Caution: Be careful not to spill ink from the maintenance tank when removing it. Hold it upright at all times and dispose of it carefully.

4. Place the used tank in the plastic bag included with the new tank, and dispose of it properly.



5. Insert the new tank all the way into its compartment.



Caution: Be careful not to touch the gears inside the printer.

To avoid damaging the components as well as the case, never use alcohol or thinners to clean the printer.

Be careful not to get water on the printer mechanism or electronic components.

Don't use a hard or abrasive brush.

Don't spray the inside of the printer with lubricants; unsuitable oils can damage the mechanism. Contact Epson if you think the printer needs lubrication.

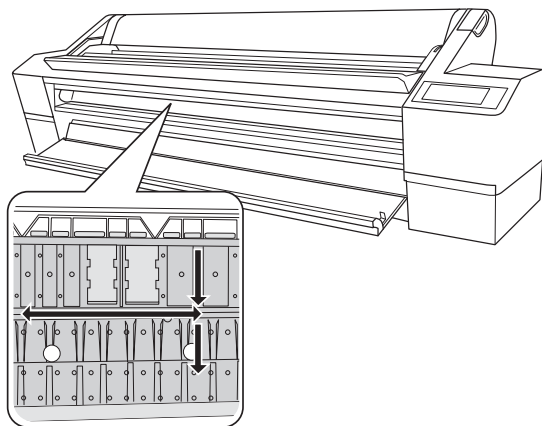
Caution: Do not touch the light gray parts (roller and ink absorption pads); otherwise, your prints may be soiled. To avoid damaging the printer, do not touch the ink tubes or the cables around the print head.

Cleaning the Printer

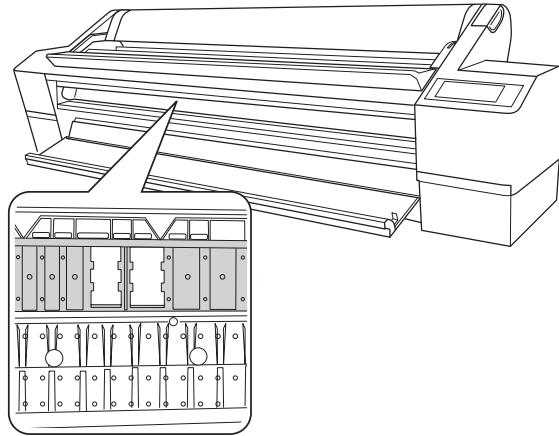
To keep your printer working at its best, clean it if it becomes soiled.

1. Make sure the printer is turned off and all its lights are off. Then unplug the power cord and disconnect the printer from your system.
2. Clean the outer case of the printer with a soft, clean cloth. If necessary, dampen the cloth with mild detergent, clean the outside of the printer, then dry it with a soft cloth. Keep the ink cartridge bays closed to prevent water from getting inside.
3. Open the front cover and use canned air or a soft, lint-free cloth to carefully clean away any dust or dirt inside the printer.

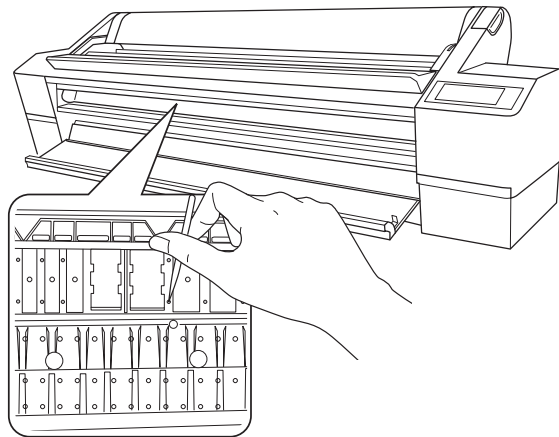
Clean the area shown in gray below following the direction of the arrows. If necessary, dampen the cloth, clean the inside of the printer, then dry it with a soft cloth.



4. If your prints have ink on the back, carefully wipe the area shown in gray below:



5. If powdery paper dust has accumulated, use a toothpick or similar tool to remove it:

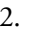


Caution: To prevent the nozzles from drying out, do not remove the ink cartridges. To prevent printer damage, be careful not to touch the cables around the print head and the black areas inside the printer.

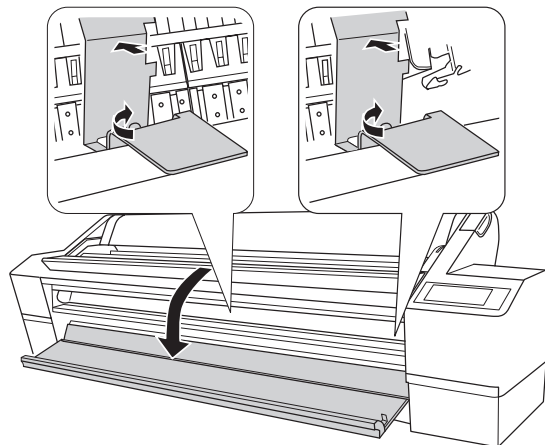
Transporting or Storing the Printer

If you are moving the printer a short distance (for example, in the same building), you can roll it on its stand (see page 148). To ship the printer a longer distance, you should repack it using the original box and packing materials. Follow the instructions below to prepare the printer for shipment.

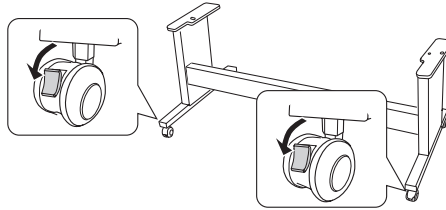
Preparing the Printer for Shipment

1. Make sure the paper lever is in the secured position and the print head is in the home position (on the far right). This caps the print head and prevents it from drying out.
2. Press the  Power button to turn off the printer.
3. Remove the following parts:
 - Power cord and interface cables
 - Roll paper spindle
 - All paper or other media
 - Auto take-up reel
 - Optional fabric-based media bin (if installed)
4. Reinstall the two metal brackets and bolts that were removed during setup, as shown below. Tighten the bolts to lock the print head.

Tip: For more secure transportation, tape all doors and covers shut.

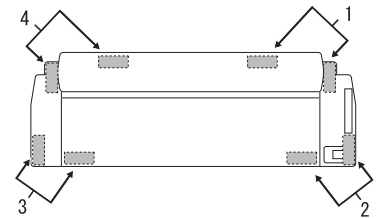
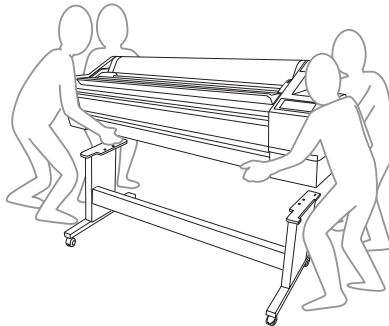


- Remove the printer from the stand. First make sure the front casters are locked.



WARNING: Do not attempt to lift the printer with fewer than 4 people.

- Remove the four wing nuts and lock washers securing the printer to the stand (underneath the printer). Keep them in a safe place.
- Lift the printer using the hand grips where provided. (See the stickers located near the rear hand grips for the correct holding position.)



- Keep the printer level while moving it. See page 148 for information about setting up the printer after transporting it.

To ship the printer a longer distance, you should repack it using the original box and packing materials.

Caution: Do not roll the printer on angled or uneven surfaces.

Moving the Printer on the Stand

When you need to move the printer a short distance, such as within the same building, you can roll the printer on its casters.

1. Make sure the printer is turned off and the carriage is in the home position (on the far right). If not, turn the printer back on, wait until the carriage moves to the home position, then turn off the printer.
2. Disconnect the power cord and interface cable.
3. Remove all paper and the roll paper spindle and close the roll paper cover. Make sure the front cover is closed.
4. Unlock the front casters.
5. Carefully roll the printer to its new location. Lock the casters after moving.

Setting Up the Printer After Transportation

Setting up the printer after transporting it is almost identical to setting it up for the first time.

Keep in mind that the first time you start printing after moving the printer, the print head nozzles may be clogged—especially if the printer hasn't been turned on for a long time. You may need to run a cleaning cycle (page 128) and realign the print head (page 132) to ensure good print quality.

If you are not using the printer on a regular basis, turn it on at least once a month and leave it on for several minutes.

If the nozzles are still clogged after three cleaning cycles, run a power cleaning cycle as described on page 131.

If you are not planning to use the printer for a long period of time, cover it with a non-static cloth to protect it from dust.

Chapter 6: Solving Problems

As you use your printer, you may occasionally experience a problem. You can diagnose the problem following the guidelines in this chapter or check the FAQ at www.proimaging.epson.com. Then try the most likely solutions until the problem is fixed.

This chapter provides instructions for the following:

- Diagnosing problems
- Checking error messages and lights
- Improving print quality
- Solving operational problems
- Solving miscellaneous printing problems
- Solving paper problems, including clearing paper jams
- Uninstalling and reinstalling the printer driver

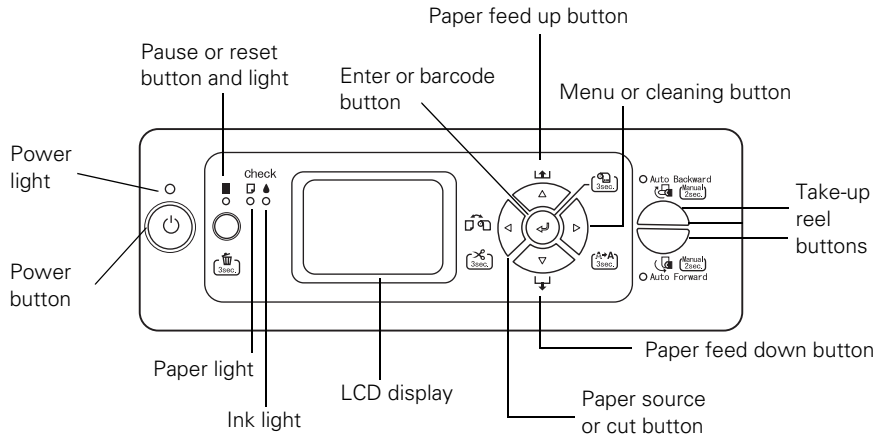
Diagnosing Problems

The printer includes a number of ways to help you diagnose problems:

- To identify the most common problems, check the messages and lights on the control panel. See pages 150 through 155 for more information.
- If you're using the Epson printer driver and Status Monitor utility, check your software for error messages. See Chapter 4 or 5 for more information.
- To determine whether the problem is caused by the printer itself, print a status sheet from the control panel. See page 126 for instructions.
- Review the FAQ at www.proimaging.epson.com for possible solutions.
- If none of the suggested solutions in this chapter solve your problem, contact Epson as described under "Where To Get Help" on page 10.

Checking Error Messages and Lights

The control panel includes various lights and an LCD display to indicate the status of the printer:










When your ink or paper runs out or a problem occurs, a message appears on the LCD display, and the lights on the control panel come on or flash. The following table lists the messages in alphabetical order and includes an explanation and instructions for correcting the problem.

Message	Explanation	Response
BORDERLESS ERROR LOAD THE SUPPORTED PAPER SIZE OR LOAD PAPER PROPERLY	The borderless setting is selected, and paper that doesn't support borderless printing is selected, or paper is not loaded correctly.	Press and hold the Pause button for 3 seconds to cancel the print job. Change the setting in the printer driver or load different paper. Make sure paper is loaded correctly.
CARRIAGE LOCKED RELEASE THE CARRIAGE LOCK	The print head is locked.	Remove the brackets securing the print head; see page 31.
CLEANING ERROR PRESS PAUSE BUTTON	Head cleaning did not clear the nozzles.	Run the head cleaning utility again. If the nozzles are still clogged, contact Epson.
CLEANING ERROR REMOVE THICK PAPER	Paper is too thick for head cleaning.	Release the paper lever to remove the paper, then reset the lever. Head cleaning starts automatically. After cleaning, reload paper.

Message	Explanation	Response
CLEANING ERROR PRESS THE ■■ BUTTON IT IS RECOMMENDED TO EXECUTE CLEANING AGAIN	The nozzles are still clogged.	Press the ■■ Pause button, then run another cleaning cycle.
COMMAND ERROR CHECK DRIVER SETTINGS	You may be using the wrong printer driver. Damaged data was sent to the printer or the data has an incorrect command.	Press and hold the ■■ Pause button for 3 seconds to cancel the print job. Make sure the correct driver is installed.
CANNOT OPEN COVER	Something is obstructing the ink bay cover.	Move the obstruction.
F/W INSTALL ERROR UPDATE FAILED RESTART THE PRINTER	Firmware update failed.	Restart the printer, then update the firmware again; see page 43 for instructions.
FRONT COVER OPEN CLOSE FRONT COVER	The front cover is open.	Close the cover.
INK CARTRIDGE INSTALL INK CARTRIDGE	This message appears during cartridge replacement.	Install the ink cartridge.
INK CARTRIDGE REPLACE INK CARTRIDGE	The cartridge is expended.	Replace the cartridge with a new one.
INK CARTRIDGE PLEASE USE GENUINE EPSON INK CARTRIDGES	A non-Epson ink cartridge is installed.	Replace the cartridge with a genuine Epson ink cartridge.
INK CARTRIDGE NON-GENUINE CARTRIDGE MAY NOT PERFORM AT OPTIMUM. CONTINUE?	A non-Epson ink cartridge is installed.	Replace the cartridge with a genuine Epson ink cartridge.
INK CARTRIDGE DO YOU ACCEPT THIS? <ACCEPT DECLINE>	A non-Epson ink cartridge is installed.	Press the ► button to decline and replace the cartridge with a genuine Epson ink cartridge. Pressing the ◀ button to accept may cause damage not covered by your warranty.
INK CARTRIDGE ERROR CHECK CARTRIDGE	You tried to install the wrong ink cartridge.	If you are replacing ink cartridges, check the package and product code. Replace the cartridge with a genuine Epson ink cartridge.

Message	Explanation	Response
INK CARTRIDGE ERROR PLEASE INSTALL THE CORRECT CARTRIDGE	You tried to install an ink cartridge that cannot be used with this printer.	If you are replacing ink cartridges, check the package and product code. Replace the cartridge with a genuine Epson ink cartridge.
INK CARTRIDGE ERROR REPLACE CARTRIDGE	Ink cartridge may be damaged or affected by condensation.	If the cartridge is very cold, wait for at least 4 hours until it warms up. Try reinstalling the cartridge. If the error still appears, install a new cartridge.
INK COVER OPEN CLOSE INK COVER	The indicated ink compartment cover needs to be closed.	Close the ink compartment cover.
INK LOW	Ink cartridge(s) are nearly expended (printing continues).	Make sure you have replacement cartridges available; see page 133. Print quality may decline when ink is low.
LEVER RELEASED LOAD PAPER	Paper is not loaded.	Load paper.
LEVER RELEASED LOWER THE PAPER SET LEVER	Paper lever is released.	Push the lever back to the secured position.
MAINT TANK ERROR REPLACE THE XXX MAINTENANCE TANK	The maintenance tank indicated is not installed correctly.	Replace the maintenance tank.
MANT TANK FULL REPLACE THE XXX MAINTENANCE TANK	The maintenance tank indicated is full.	Note which tank is full and replace it; see page 141.
MAINTENANCE PLEASE USE GENUINE EPSON MAINT TANK	A non-Epson ink maintenance tank is installed.	Replace the tank with a genuine Epson maintenance tank.
MAINTENANCE NON-GENUINE MAINT TANK MAY NOT PERFORM AT OPTIMUM. CONTINUE?	A non-Epson maintenance tank is installed.	Replace the tank with a genuine Epson maintenance tank.
MAINTENANCE DO YOU ACCEPT THIS? <ACCEPT DECLINE>	A non-Epson maintenance tank is installed.	Press the ► button to decline and replace the tank with a genuine Epson maintenance tank. Pressing the ◀ button to accept may cause damage not covered by your warranty.

Message	Explanation	Response
MAINTENANCE REQUEST	A printer part may need to be replaced soon.	Note the code number and contact Epson as described on page 10.
MAINTENANCE TANK NEARLY FULL	The indicated tank is almost full.	Although you can continue printing, you should replace the tank as soon as possible.
NO CARTRIDGE INSTALL INK CARTRIDGE	Ink cartridge(s) not installed.	Install ink cartridge(s); see page 133.
NO MAINTENANCE TANK INSTALL THE XXX MAINTENANCE TANK	The indicated maintenance tank is not installed.	Make sure the maintenance tank is fully inserted; see page 141.
NOT ENOUGH CAPACITY REPLACE THE XXX MAINTENANCE TANK	The indicated tank is almost full.	Although you can continue printing, you should replace the tank as soon as possible.
NOT ENOUGH INK REPLACE INK CARTRIDGE WITH A NEW ONE	The ink cartridge is nearly expended.	Replace the ink cartridge; see page 133.
NOZZLE CHECK ERROR PRESS THE ■■ BUTTON	Nozzle check cannot be executed.	Press the ■■ Pause button to clear the error, then try the nozzle check again. Or cancel the nozzle check from the computer and restart the printer.
PAPER CUT ERROR PRESS THE MENU BUTTON TO MOVE THE CUTTER TO REPLACEMENT POSITION	Roll paper was not cut correctly.	Release the paper lever and cut the paper manually. Reload paper if necessary.
PAPER CUT ERROR REMOVE UNCUT PAPER	Roll paper was not cut correctly. The cutter may be blunt.	Release the paper lever and cut the paper manually. Reload paper if necessary. Reinstall or replace the cutter blade if necessary; see page 138.
PAPER EJECT ERROR REMOVE PAPER FROM PRINTER	Paper remains in the printer.	Release the paper lever and remove the paper.
PAPER ERROR LOAD PAPER PROPERLY	Paper is not loaded correctly.	Release the paper lever and reload paper.
PAPER LOW	The paper roll is almost finished.	Replace the roll paper.

Message	Explanation	Response
PAPER JAM REMOVE PAPER	Paper has jammed in the printer.	Release the paper lever and remove the jammed paper; see page 162. Do you need to turn the printer off and then back on?
PAPER OUT LOAD PAPER	Paper ran out or is not ejected correctly.	Load paper. If paper is not ejected, release the paper lever and remove the paper.
PAPER SENSOR ERROR PRESS THE  BUTTON LOAD THE CORRECT PAPER	The paper does not match the media type selected for auto head alignment.	Press the  Pause button, then load the right paper (or change the media type selection).
PAPER SENSOR ERROR PRESS THE  BUTTON LOAD DIFFERENT PAPER	The paper does not match the media type selected for head alignment.	Press the  Pause button, then load the right paper (or change the media type selection).
PAPER SETTING ERROR CHECK PAPER SOURCE IN THE DRIVER SETTINGS AND LOAD PAPER CORRECTLY	The wrong paper source (roll or sheet) is selected.	Check the Source setting in the printer driver and make sure the paper is loaded correctly.
PAPER SETTING ERROR LOAD CUT SHEET PAPER	Roll paper is loaded, but cut sheet is selected.	Make sure the setting matches the paper in the printer, or load the correct paper. Press the  Pause button to start printing.
PAPER SETTING ERROR LOAD ROLL PAPER	A sheet is loaded, but roll paper is selected.	Make sure the setting matches the paper in the printer, or load the correct paper. Press the  Pause button to start printing.
PAPER SIZE ERROR LOAD CORRECT SIZE PAPER	The size of the paper in the printer doesn't match the image size.	Make sure the size matches the paper in the printer, or load the correct paper.
PAPER SKEW LOAD PAPER PROPERLY	Paper is not loaded straight.	Release the lever and load the paper correctly. Then return the lever to the locked position.
PRINTER ERROR RESTART THE PRINTER	You tried to print while an error condition was present.	Press the  Power button to turn off the printer. Wait 30 seconds, then turn it back on.
REMOVE ROLL PAPER RAISE THE PAPER SET LEVER AND REMOVE PAPER	Roll paper is not removed from the printer.	Release the paper lever and remove roll paper from the printer.

Message	Explanation	Response
SERVICE CALL ERROR NNNN	<p>If 1133 or 1137 appear, the print head may be locked.</p> <p>If 3000 appears, the printer is not plugged in correctly.</p> <p>A serious error may have occurred.</p>	<p>Remove the brackets securing the print head; see page 31.</p> <p>Turn the printer off. Unplug the printer and wait 30 seconds. Then plug it in correctly and turn it back on. Try turning the printer on and off a few times. If the message remains, contact Epson as described on page 10.</p>
TAKE-UP DISCONNECTED SET AUTO TAKE-UP REEL SYSTEM IN PRINTER AND RESTART THE PRINTER	The auto take-up reel is not installed.	Install the auto take-up reel correctly. See page 25.
TAKE-UP ERROR SET PAPER PROPERLY IN AUTOMATIC TAKE-UP REEL SYSTEM	Paper is not set up correctly in the auto take-up reel.	Set up the paper correctly on the auto take-up reel. See page 29.
TAKE-UP ERROR IS ANYTHING OBSTRUCTING THE TAKE-UP REEL SENSOR SYSTEM? LOAD PAPER AGAIN	Something may be obstructing the sensor.	Make sure nothing is obstructing the sensor system. Set up the paper correctly on the auto take-up reel. See page 29.

Improving Print Quality

You can often improve print quality by doing the following:

- Run a nozzle check and cleaning cycle. See page 128 for instructions.
- Align the print head. See page 132 for instructions.
- When you send a print job, make sure your print options are set correctly. For more information, see Chapter 3 (Macintosh) or Chapter 4 (Windows).

If none of these suggestions help, try the solutions on the following pages.

Problem	Solution
Your print has horizontal banding.	<ul style="list-style-type: none"> ▶ Check the ink indicators and light to see if you are low on ink. Replace ink cartridges if necessary, as described on page 133. ▶ Run a nozzle check and cleaning cycle. See page 128 for instructions. ▶ Turn off High Speed in your printer settings. ▶ Make sure the Media Type setting in the printer software is correct for the media you're printing on. ▶ If you're using cut sheet media, make sure the printable side is face up. ▶ Choose a higher resolution, such as SuperPhoto - 2880dpi.
	<ul style="list-style-type: none"> ▶ If you're using a third-party RIP and non-Epson media, see if the RIP provides a method for adjusting the paper feed. <p>Try adjusting your paper configuration settings (page 88 for Mac OS X or page 115 for Windows). Check these settings:</p> <ul style="list-style-type: none"> ▶ Make sure the Paper Thickness setting is correct for the paper you're printing on. ▶ Use the Paper Feed Adjustment to tune out banding. Reduce the value for white lines, and increase it for overlapping dark lines. ▶ If you've created a custom paper configuration, be sure to return the setting to standard when you're done using it. See page 75.
Your print is grainy, or has misregistration or ghosting.	<ul style="list-style-type: none"> ▶ Check the ink indicators and light to see if you are low on ink. Replace ink cartridges if necessary, as described on page 133. ▶ Run a nozzle check and cleaning cycle. See page 128 for instructions. ▶ Align the print head, as described on page 132. ▶ Make sure the Media Type setting in the printer software is correct for the media you're printing on. ▶ If you're using cut sheet media, make sure the printable side is face up. ▶ Choose a higher resolution, such as 2880 dpi. ▶ Turn off High Speed in your printer settings.
	<p>You may need to adjust your paper configuration settings (page 88 for Mac OS X or page 115 for Windows). Check these settings:</p> <ul style="list-style-type: none"> ▶ Make sure Paper Thickness setting is correct for the paper you're printing on. ▶ If you've created a custom paper configuration, be sure to return the setting to standard when you're done using it. See page 75.

Problem	Solution
Colors are incorrect or missing.	<ul style="list-style-type: none"> ▶ Make sure the Media Type setting in the printer software is correct for the media you're printing on. ▶ If you are using the color management features in Photoshop or another application, you must turn off color management in the printer driver. See page 87 (Mac OS X) or page 106 (Windows). ▶ Adjust the Color Density setting in the Paper Configuration utility. ▶ If you're using a third-party RIP or non-Epson media, custom color profiles will give you the best color reproduction. ▶ If you're using cut sheet media, make sure the printable side is face up. ▶ Run a nozzle check and cleaning cycle; see page 128. ▶ Check the expiration date printed on each of the ink cartridges. If the cartridge is too old, replace it as described on page 133. ▶ Check the ink indicators and light, and replace ink cartridges if your ink supply is low, as described on page 133. ▶ Make sure color settings in your application or printer software are correct.
Your print has gaps or appears faint.	<ul style="list-style-type: none"> ▶ Check the expiration date printed on each of the ink cartridges. If the cartridge is too old, replace it as described on page 133. ▶ Make sure the Media Type setting in the printer software is correct for the media you're printing on. ▶ Run a nozzle check and cleaning cycle (see page 128). ▶ Check the ink indicators and light and replace ink cartridges if your ink supply is low, as described on page 133. ▶ The paper thickness setting is not correct for the paper you're printing on. Use your printer software (page 88 for Mac OS X or page 115 for Windows) to choose the correct setting. When you're done printing with a custom paper configuration, be sure to return the setting to standard. ▶ The platen gap setting is too wide. Use the Menu system to change the setting to STANDARD, or to NARROW if printing on very thin paper. See page 74 for instructions.

Problem	Solution
Your print appears blurry or smeared.	<ul style="list-style-type: none"> ▶ Make sure the Media Type setting in the printer software is correct for the media you're printing on. ▶ If you're printing on non-Epson media, you may need to adjust the paper thickness setting, drying time, or color density. Use your printer software (page 88 for Mac OS X or page 115 for Windows) to choose the correct setting. When you're done printing with a custom paper configuration, be sure to return the setting to standard (STD). ▶ Your paper doesn't meet the required specifications or wasn't stored in a dry, humidity-free environment. Load new paper. ▶ If you're using cut sheet media, make sure the printable side is face up. ▶ Ink has leaked into the paper path. Wipe the paper path area of the printer with a soft, clean cloth. See page 144 for cleaning instructions. ▶ Turn off High Speed in your printer settings. ▶ The platen gap setting is too narrow. Use the control panel to change the setting to WIDE or WIDER. See page 74 for instructions. ▶ Run a nozzle check and cleaning cycle (see page 128). ▶ Make sure you don't open the front cover during printing. This causes the carriage to stop, and may cause uneven color.
The bottom edge of your print is smeared.	<ul style="list-style-type: none"> ▶ The paper is curled toward the printable side. Flatten the paper or curl it toward the other side. ▶ Make sure the Media Type setting in your printer software is correct for the media you're printing on. ▶ If you're printing on non-Epson media, you may need to adjust the paper thickness setting or drying time. Use your printer software (page 88 for Mac OS X or page 115 for Windows) to choose the correct setting. When you're done printing with a custom paper configuration, be sure to return the setting to standard (STD). ▶ If printing on thick paper, the platen gap setting may be incorrect. Use the control panel to change the setting to WIDE or WIDER; see page 74.
The printed surface is scuffed or soiled.	<ul style="list-style-type: none"> ▶ If printing on thick paper, the platen gap setting may be incorrect. Use the control panel to change the setting to WIDE or WIDER; see page 74.

Solving Operational Problems

If you can't turn the printer on, if it stops printing unexpectedly, or if nothing prints, check the following:


- Paper is loaded correctly.
- The printer is plugged securely into a working electrical outlet that's not controlled by a switch or timer.
- The interface cable is securely connected to the printer and your system.
- The voltage supplied by the electrical outlet matches the voltage on the printer's rating label. If not, turn off the power and unplug the power cord immediately. Contact Epson for assistance; see page 10 for details.

If none of these suggestions help, try the solutions below.

Problem	Solution
The printer stops printing unexpectedly.	<ul style="list-style-type: none"> ▶ If the Pause light is flashing, the printer is performing a maintenance procedure or waiting for ink to dry. Check the display message and lights on the control panel. Wait until the Pause light stops flashing. ▶ Check the display message and lights on the control panel to see if an error has occurred. Follow the instructions for the messages beginning on page 150.
The printer sounds as if it's printing, but nothing prints.	<ul style="list-style-type: none"> ▶ Follow the instructions beginning on page 128 to clean the print head. ▶ Try running a power cleaning cycle; see page 131. ▶ Communication between the network and printer may have been momentarily interrupted. Check your network settings.
Nothing prints.	<ul style="list-style-type: none"> ▶ Turn off the printer and computer. Make sure the interface cable is securely plugged in. Then restart the printer and computer. ▶ Make sure the interface cable meets the required specifications; see page 11 or 12. ▶ The printer port setting doesn't match the printer connection port (Windows). Right-click the icon for your printer in the Windows Control Panel, then select Properties. Click the Ports tab and make sure your printer port is selected. ▶ Download and install the latest driver for Macintosh or Windows from the Epson website at www.proimaging.epson.com.

Solving Miscellaneous Printing Problems

If your printouts are not what you expected, try the suggestions below:

Problem	Solution
Your print has incorrect margins.	<ul style="list-style-type: none"> ▶ Check the page size or paper size settings in your application. Make sure they are within the printer's printable area. ▶ Make sure the Paper Size and Borderless settings in your printer software are correct for the paper you're using. ▶ Paper is loaded incorrectly. Follow the instructions in Chapter 2 to reload the paper. ▶ The ROLL PAPER MARGIN setting on the PRINTER SETUP menu may be incorrect. For best results, set the margin to 3 mm. ▶ Make sure your paper is stored correctly so that it doesn't expand or contract during use. For borderless printing, make sure you use only the recommended paper.
Your image is inverted.	<ul style="list-style-type: none"> ▶ Turn off the Flip Horizontal or Mirror Image setting in your printer software. See page 85 (Mac OS X) or page 113 (Windows) for instructions.
Blank paper is printed.	<ul style="list-style-type: none"> ▶ Make sure your software is installed correctly and the printer is selected. ▶ Make sure the Paper Size setting in your printer software is correct for the paper you're using. ▶ Make sure the Paper Source setting in your printer software is correct.
A ruled line on your print appears to shift.	<ul style="list-style-type: none"> ▶ Align the print head as described on page 132.
The back of your print is soiled.	<ul style="list-style-type: none"> ▶ Make sure PAPER SIZE CHECK is on in the PRINTER SETUP menu. Otherwise, the printer may print beyond the edge of the paper and soil the inside of the printer.
The printer continues to feed paper after you have cancelled a job.	<ul style="list-style-type: none"> ▶ Press the Pause button on the printer to clear any print job data in the printer's buffer. Then press and hold the Pause button to reset the printer. Make sure the paper source is set correctly.
Roll paper cannot be cut, or is not cut cleanly.	<ul style="list-style-type: none"> ▶ The paper cutter blade may be dull. Follow the instructions on page 138 to replace the blade. ▶ The paper may be too thick to cut with the built-in cutter. Cut the paper with a matte knife. See page 49 for a list of media that cannot be used with the cutter. ▶ Make sure  appears on the LCD display. If not, press the Paper Source button to select this setting.
Color ink runs out too quickly, even when using the Advanced B&W mode	<ul style="list-style-type: none"> ▶ Ink for all colors is normally consumed during head cleaning. You can save ink by cleaning the heads for each pair of colors separately. Use the Maintenance menu to select CLEAN EACH COLOR, then select the colors.

Problem	Solution
Printing is too slow.	<ul style="list-style-type: none"> ▶ Turn on High Speed in your printer settings. ▶ Choose a lower resolution in your printer software for faster printing. ▶ Clear space on your hard drive or run a defragmentation utility. ▶ Don't run too many applications at the same time. ▶ Turn off virtual memory. ▶ Add RAM to your system. ▶ Make sure the Processed by Printer setting is enabled. ▶ In Windows, make sure High Speed Copies is enabled in the Speed and Progress utility.

Solving Paper Problems

If paper feed or paper jam problems occur frequently, try one or more of the following solutions:

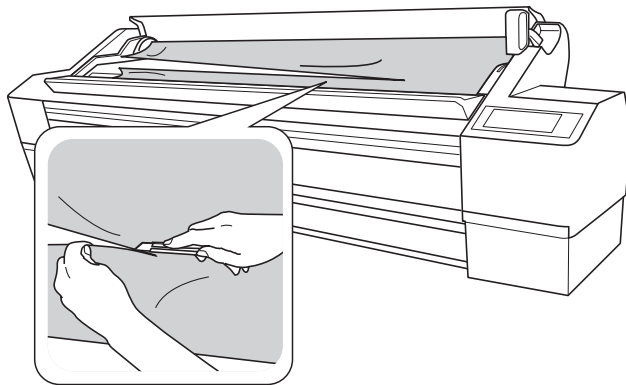
- For roll paper, try adjusting the Paper Suction setting. See page 75 for more information. You can also adjust this setting through your printer driver.
- For heavy or thick media, follow the instructions on page 72 to load the media correctly.
- Make sure the paper is not folded, wrinkled, or damp.
- Make sure cut sheets are loaded in the “portrait” orientation.
- Make sure the printer’s environment falls within the required range of 59 to 77 °F (15 to 25 °C), with 40 to 60% relative humidity.
- Make sure the tension is set correctly on the roll paper spindle; see page 54. If the paper wrinkles, try using high tension.
- Make sure the paper is not too thick or too thin. See pages 47 and 166 to 168 for paper specifications.
- Make sure no foreign objects are inside the paper path.
- Make sure the printer isn’t located in a brightly lit area. The paper sensors may not operate correctly.

- Make sure the **Media Type** and **Paper Source** settings in the printer software are correct.
- Make sure the platen gap setting is correct for the paper or media you're printing on. See page 74 for more information.
- If you're not using Epson media, use a paper configuration to adjust for the paper's thickness and drying time; see page 75.

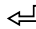
Clearing Paper Jams

When roll paper gets jammed in the printer, printing stops and you see a **PAPER JAM** message on the LCD display. Follow these steps to clear a paper jam:

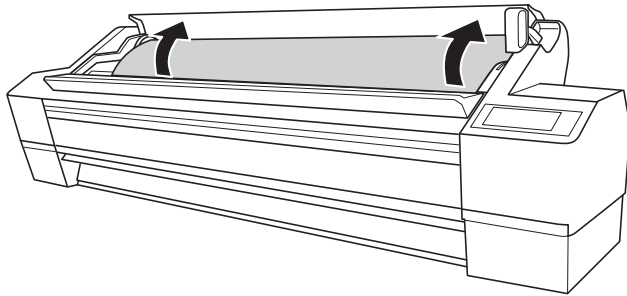
1. Open the roll paper cover and cut the paper at the insertion slot.



Caution: To avoid damaging the printer, never move the paper lever while the **Pause** light is flashing.

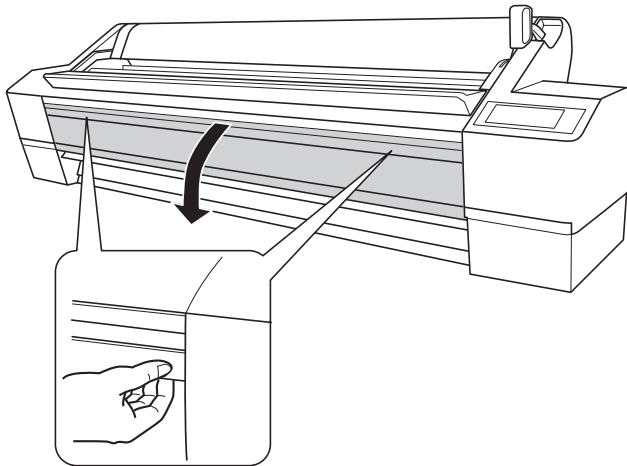
2. Make sure the **Pause** light is not flashing, then release the paper lever. If the paper lever is locked, press and hold the  button for 3 seconds.

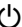
3. Rewind the paper.



Caution: To avoid damaging the printer, do not touch the cables around the print head. Be careful not to touch the roller, ink absorption pad, and ink tubes inside the printer.

4. Open the front cover if paper is jammed inside the printer.



5. Carefully pull down the jammed paper.
6. Close the front cover, if necessary. Press the  Power button to turn the printer off and then back on.
7. Reload your paper.

Uninstalling and Reinstalling the Printer Driver

If you need to uninstall and then reinstall the printer driver software for any reason, follow the instructions in the appropriate section below.

Macintosh

1. Open the **Applications** folder, then the **Utilities** folder.
2. Double-click **Printer Setup Utility**, select your printer, and then click **Delete**.
3. Insert the printer software CD-ROM.
4. Open the window and double-click the **Epson** installer icon.
5. Select **Uninstall** from the pull-down menu, then follow the instructions to uninstall the printer driver.
6. If you want to reinstall your printer software, restart your Macintosh. Then follow the instructions on page 37 to install the software.

Tip: Check the Epson Pro Imaging website at www.proimaging.epson.com for updated drivers and utilities that may become available.

Windows

1. Open the **Windows Control Panel**.
2. Select **Add or Remove Programs** or **Add/Remove Programs**.
3. Click **EPSON Printer Software** in the program list, then select **Uninstall/Change** or **Change/Remove**.
4. Select your printer icon, then click **OK**.
5. Follow the on-screen instructions to uninstall the software. When you see the confirmation message, click **Yes**.

If you see a prompt asking if you want to remove your personal settings information, click **Yes**.

6. If you want to reinstall your printer software, restart your computer. Then follow the instructions on page 41 to install the software.

Chapter 7: Specifications

Environmental

	Operation	Storage (in shipping container)
Temperature	50 to 95 °F (10 to 35 °C) Print quality guarantee: 59 to 77°F (15 to 25 °C)	–4 to 104 °F (–20 to 40 °C) (1 month at 104 °F)
Humidity (without condensation)	20 to 80% RH 40 to 60% RH for optimum print quality For optimal operation, humidity should be between 35 and 45% RH	20 to 85% RH

Electrical

Specification	Description
Input voltage range	90 V to 264 V
Rated frequency range	50 to 60 Hz
Input frequency range	49.5 to 60.5 Hz
Rated current	1.2 to 0.6 A
Power consumption (Approximate)	100 W 20 W in low-power mode 1 W or less in power off mode

Check the label on the back of your printer for voltage information.

Dimensions and Weight

Specification	
Height	46.85 inches (1,190 mm)
Width	92.44 inches (2,348 mm)
Depth	26.97 inches (685 mm)
Approximate weight (without consumables)	331.1 lb (150.5 kg)

Printer Interfaces

- USB (1.1 and 2.0 compatible)
- 10/100/1000 BaseT Ethernet port

Safety Approvals

Safety standards	UL 60950-1, CSA No. 60950-1
EMC	FCC part 15 subpart B, class A, CAN/CSA-CEI/IEC CISPR 22, class A

Media

Roll Paper

Maximum roll width	64 inches
Maximum roll length	Up to 148 feet for 2-inch cored media Up to 662 feet for 3-inch cored media
Weight range	64 to 260 g/sm)
Roll paper compatibility	Handles both 2- and 3-inch cored media
Maximum roll paper diameter	4 inches (2-inch core) or 6 inches (3-inch core)

Note: Since the quality of any particular brand or type of paper may be changed by the manufacturer at any time, Epson cannot attest to the quality of any non-Epson brand or type of paper. Always test samples of paper stock before purchasing large quantities or printing large jobs.

Cut Sheets

Sizes	A4 (8.3 × 11.7 inches) Letter (8.5 × 11 inches) 8 × 10 inches ARCH A (9 × 12 inches) 10 × 12 inches B4 (JB4) (10.1 × 14.2 inches) 11 × 14 inches 30 × 40 cm (11.8 × 15.7 inches) A3 (11.7 × 16.5 inches) US B (11 × 17 inches) 12 × 12 inches
-------	---

ARCH B (12 × 18 inches)
 Super A3/B (13 × 19 inches)
 B3 (JB3) (14.2 × 20.3 inches)
 16 × 20 inches
 40 × 60 cm (15.7 × 23.6 inches)
 A2 (16.5 × 23.4 inches)
 US C (17 × 22 inches)
 ARCH C (18 × 24 inches)
 B2 (19.7 × 27.8 inches)
 US D (22 × 34 inches)
 A1 (23.4 × 33.1 inches)
 60 × 90 cm (23.6 × 35.4 inches)
 24 × 30 inches
 ARCH D (24 × 36 inches)
 Super A1 (24 × 36 inches)
 B1 (28.7 × 40.6 inches)
 30 × 40 inches
 A0 (33.1 × 44 inches)
 US E (34 × 48 inches)
 ARCH E (36 × 48 inches)
 36 × 44 inches
 Super A0 (36 × 50.9 inches)
 B0 (40.6 × 57.3 inches)
 Super B0 (44 × 62.2 inches)
 50 × 64 inches
 60 × 75 inches
 64 × 80 inches

Weight range

17 lb bond up to posterboard

Printable Area

Default roll paper margins are 0.59 inches (15 mm) top and bottom, and 0.12 inches (3 mm) right and left. Using the Menu system, you can set all the margins to 15 mm or 3 mm.

The borderless printing feature allows edge-to-edge printing on some media.

Ink Cartridges

Cartridge life: 2 years from production date if unopened;
within 6 months after opening package

Temperature:

Storage (uninstalled) -4 to 104 °F (-20 to 40 °C); 1 month at 104 °F
(40 °C)

Storage (installed) -4 to 104 °F (-20 to 40 °C); 1 month at 104 °F
(40 °C)

Capacity: 700 ml

Index

A

- Accessories, 10
- Advanced Black and White Photo
 - Mac OS X, 93 to 96
 - Windows, 115 to 117
- Aligning print head, 132 to 133
- Always spool RAW datatype setting, 122
- Auto Cut setting
 - Mac OS X, 90
 - Windows, 110
- Auto take-up reel
 - installing, 25 to 30
 - using, 62 to 68
- Automatic media tracking, 51 to 52

B

- Banding, 156
- Barcode, 51 to 52
- Black and white photos
 - Mac OS X, 93 to 96
 - Windows, 115 to 117
- Blank pages, 160
- Blurry prints, 158
- Borderless printing
 - Mac OS X, 80 to 82, 91 to 92
 - Windows, 109 to 112
- Bracket, shipping
 - removing, 32
 - using, 146
- Buttons, control panel, 17, 150

C

- Cable
 - power, 32
 - printer, 35
 - problems, 159
 - requirements, 11, 12
- Canceling print jobs
 - Mac OS X, 97
 - Windows, 121

- Cartridges, *see* Ink cartridges
- Cleaning
 - print head, 128 to 131, 138
 - printer, 144
- Coarse Rendering setting, 122
- Color management
 - Mac OS X, 87 to 88, 93 to 96
 - Windows, 106 to 117
- Color problems, 160
- ColorSync settings, 88
- Connecting printer, 35
- Control panel
 - aligning print head, 132 to 133
 - buttons, 17, 150
 - changing language, 137
 - changing measurement units, 137
 - cleaning print head, 130 to 131
 - illustration, 17, 150
 - ink levels, checking, 126 to 127, 133
 - lights, 17, 150
 - messages, 150 to 155
 - monitoring printer, 150 to 155
 - restoring default settings, 137
 - selecting paper type, 50 to 51
 - status check, printing, 126
- Custom paper size
 - Mac OS X, 82
 - Windows, 108
- Custom Preset, 96 to 97
- Custom settings, saving in Windows, 117 to 119
- Cut sheet paper
 - heavy stock, 72 to 73
 - loading, 68 to 71
 - supported sizes, 166
- Cutter
 - cutting paper manually, 60
 - replacement blade, ordering, 10
 - replacing blade, 138 to 141

D

- Date and time setting, 136
- Deleting print jobs
 - Mac OS X, 97
 - Windows, 121
- Depth of printer, 165
- Diagnosing problems, 149
- Dimensions of printer, 165
- Documentation, how to use, 9

E

- Electrical specifications, 165
- Energy consumption, 165
- Environmental specifications, 165
- Epson
 - accessories, 10
 - help, 10 to 11
 - media, 47 to 49
 - Preferred Limited Warranty Plan, 10
- EpsonNet Config, 46
- Error messages, 150 to 155
- Error notification, Windows, 123
- Ethernet cable
 - connecting, 35
 - system requirements, 12
- Ethernet interface
 - configuring, 36 to 37, 46
 - connecting, 35
- Exporting settings, 117 to 119

F

- Faint prints, 157
- Firmware, updating, 43 to 45
- Flip Horizontal setting
 - Mac OS X, 85
 - problems, 160

H

- Head Alignment menu, 132
- Heavy media, cutting, 60
- Height of printer, 165
- Help, Epson, 10 to 11
- High Speed Copies setting, 122
- High Speed setting
 - Mac OS X, 85
 - Windows, 104
- Humidity requirements, 165

I

- ICM setting, 107
- Importing settings, 117 to 119
- Ink cartridges
 - checking status, 126 to 127, 133
 - installing, 33 to 35
 - ordering, 134
 - replacing, 133 to 136
 - safety instructions, 15
 - specifications, 168
- Ink light, 17, 150
- Ink, monitoring level, 98 to 99, 121, 127
- Installing printer driver
 - Mac OS X, 37 to 41
 - Windows, 41 to 43

J

- Jams, paper, 162 to 163
- Job history, 127

L

- Layout
 - Mac OS X options, 80 to 82
 - Windows options, 108 to 113
- LFP Remote Panel, 43 to 45
- Lights, control panel, 17, 150

Loading

- cut sheet paper, 68 to 71
- posterboard, 72 to 73
- roll paper, 49 to 58

M

Mac OS X

- basic print options, 83 to 85
- black and white photos, 93 to 96
- borderless printing, 80 to 82, 91 to 92
- canceling print jobs, 97
- checking ink levels, 98 to 99
- color management, 87 to 88, 93 to 96
- custom preset, 96 to 97
- installing software, 37 to 41
- margins, printing without, 80 to 82, 91 to 92
- monitoring print jobs, 97
- page setup options, 80 to 82
- paper configuration settings, 88 to 89
- Printer Utility, 98
- roll paper settings, 90 to 92
- Status Monitor, 98 to 99
- system requirements, 11
- uninstalling software, 164

Maintenance, 125 to 144

Maintenance menu, 131, 138

Maintenance mode, 137

Maintenance tanks

- checking status, 126 to 127
- ordering, 10
- replacing, 141 to 143

Manuals, how to use, 9

Margins

- default, 168
- incorrect, 160
- printing without, 80 to 82, 91 to 92, 109 to 112

Media tracking, setting up, 51 to 52

Media Type

- Mac OS X, 84
- selecting, 86, 105
- Windows, 103

Memory, requirements, 11 to 12

Menus

- Paper Setup, 50 to 51, 75 to 77
- Head Alignment, 132
- Maintenance, 131, 138
- Network Setup, 36 to 37
- Printer Setup, 130
- Printer Status, 127
- Test Print, 126

Monitoring printer

- control panel, 150 to 155
- Mac OS X, 97 to 99
- Windows, 121 to 123

Moving printer, 146 to 148

N

Network setup

- control panel, 36 to 37
- EpsonNet Config, 46

O

Optional equipment, 10

P

Page Line setting

- control panel, 61
- Mac OS X, 91
- Windows, 110

Page Rendering Mode setting, 122

Page setup options, Mac OS X, 80 to 82

Paper

- attaching to spindle, 54
- configuration settings, 75 to 77, 88 to 89, 114 to 115, 157
- custom settings, 75 to 77
- custom size, 81 to 82, 108
- cut sheet, 68 to 71

- Paper (*continued*)
 - Epson, 47 to 51
 - handling, 47 to 77
 - heavy stock, 72 to 73
 - jams, 162 to 163
 - Mac OS X options, 80 to 82, 89 to 92
 - non-Epson, 75 to 77
 - ordering, 47
 - printable area, 168
 - problems, 161 to 163
 - removing from spindle, 58 to 59
 - roll, 49 to 61
 - sizes, 166
 - specifications, 166 to 168
 - suction, 76, 89, 115
 - trim lines, 61, 91
 - Windows options, 108 to 113
- Paper cutter
 - operating manually, 60
 - replacing blade, 138 to 141
- Paper light, 17, 150
- Paper Size setting
 - Mac OS X, 81 to 82
 - problems, 160
 - Windows, 108
- Paper Source setting
 - problems, 160
 - Windows, 108, 112
- Paper Type, selecting on control panel, 50 to 51
- Pause light, 17, 150
- Pausing print jobs
 - Mac OS X, 97
 - Windows, 121
- PhotoEnhance, 107
- Platen Gap setting
 - control panel, 74
 - Macintosh, 89
 - problems, 157
 - Windows, 115
- Posterboard, 72 to 73
- Power cleaning cycle, 131
- Power consumption, 165
- Power light, 17, 150
- Preset, Mac OS X, 96 to 97
- Print as Bitmap setting, 122
- Print head
 - aligning, 132 to 133
 - checking status, 126 to 127
 - cleaning, 128 to 131, 138
 - locking, 146
 - unlocking, 32
- Print jobs
 - canceling, 97, 121
 - managing, 97, 121 to 124
 - pausing, 97, 121
- Print quality
 - Mac OS X, 85
 - problems, 155 to 158
 - Windows, 104
- Print speed, improving in Windows, 122
- Printable area, 168
- Printable pages, checking, 127
- Printer
 - checking status, 98 to 99, 121 to 124, 126 to 127
 - cleaning, 144
 - connecting, 35
 - control panel, 17
 - dimensions, 165
 - firmware update, 43 to 45
 - maintaining, 125 to 144
 - monitoring, 98 to 99, 121 to 123
 - mounting on stand, 23 to 32
 - moving, 146 to 148
 - parts, 16
 - plugging in, 32
 - port, 159
 - removing shipping bracket, 32
 - setting up, 19 to 46
 - software, installing, 37 to 43
 - software, uninstalling, 164
 - specifications, 165 to 166
 - stand, unpacking and assembling, 20 to 21
 - status check, 126 to 127

Printer (*continued*)

- storing, 146 to 147
- total print volume, 127
- transporting, 146 to 148
- turning off, 13
- unpacking, 22 to 23
- weight, 165

Printer driver

- installing in Mac OS X, 37 to 41
- installing in Windows, 41 to 43

Problems

- banding, 156
- blank paper, 160
- blurry prints, 158
- cable, 159
- color, 160
- diagnosing, 149
- faint prints, 157
- ghosting, 156
- graininess, 156
- inverted image, 160
- margin, 160
- misalignment, 156
- misregistration, 156
- nothing prints, 159
- operational, 159
- paper, 161 to 163
- print quality, 155 to 158
- print speed, 122
- printer driver, 159 to 160
- printing stops, 159
- roll paper cannot be cut, 160
- size limitation, 122
- smear prints, 158, 160

Progress Meter, 121, 122

R

Registering non-Epson media,
75 to 77

Remaining paper setup, 52

Requirements, system, 11 to 12

Resolution

- Mac OS X, 85
- Windows, 104

Roll paper

- attaching to spindle, 54
- cannot be cut, 160
- cutting manually, 60
- loading, 49 to 58
- Mac OS X settings, 90 to 92
- printable area, 168
- remaining, 52
- removing from spindle, 58 to 59
- Save Roll Paper setting, 91, 108
- tracking, 52
- trim lines, 61, 91
- Windows settings, 108 to 113

S**Safety**

- approvals, 166
- instructions, 12 to 15

Save Roll Paper setting, 91, 108

Setting up the printer, 19 to 46

Shipping bracket

- removing, 32
- using, 146

Software

- installing in Mac OS X, 37 to 41
- installing in Windows, 41 to 43
- uninstalling, 164

Specifications

- electrical, 165
- environmental, 165
- ink cartridges, 168
- paper, 166 to 168
- printable area, 168
- printer, 165 to 166

Speed and Progress utility, 122 to 123

Spindle

- adapter, 53
- loading roll paper, 54
- removing roll paper, 58 to 59
- switch, 54

- Stand
 - mounting printer on, 23 to 32
 - unpacking and assembling, 20 to 21
- Status Monitor
 - Mac OS X, 98 to 99
 - Windows, 121 to 124
- Storing printer, 146 to 147
- Suction, 76, 89, 115
- Super strong cleaning cycle, 138
- Support, Epson, 10 to 11
- System requirements, 11 to 12

T

- Take-up reel
 - installing, 25 to 30
 - using, 62 to 68
- Technical support, 10 to 11
- Temperature requirements, 165
- Test Print menu, 126
- Time and date setting, 136
- Total prints, checking, 127
- Transporting printer, 146 to 148
- Trim lines, printing
 - control panel, 61
 - Mac OS X, 91
 - Windows, 110
- Troubleshooting, 149 to 163

U

- UltraChromeK3 ink cartridges, 134
- Uninstalling software, 164
- Unit ID number, 10
- Unpacking the printer, 22 to 23
- Usage count, 127
- USB cable
 - connecting, 35
 - requirements, 11, 12

- User-defined paper size
 - Mac OS X, 82
 - Windows, 108
- Utility menu
 - Mac OS X, 98, 128
 - Windows, 122, 128

W

- Waste ink system, 126 to 127, 141 to 143
- Weight of printer, 165
- Width of printer, 165
- Windows
 - advanced print options, 106 to 117
 - basic print options, 102 to 104
 - black and white photos, 115 to 117
 - borderless printing, 109 to 112
 - canceling print jobs, 121
 - color management, 106 to 117
 - customizing printer driver, 117 to 120
 - driver, 101 to 117
 - installing software, 41 to 43
 - layout options, 108 to 113
 - managing print jobs, 121 to 124
 - monitoring preferences, setting, 123 to 124
 - optimizing print speed, 122 to 123
 - paper configuration options, 114 to 115
 - roll paper options, 108 to 113
 - Speed and Progress utility, 122 to 123
 - status alerts, 123
 - Status Monitor, 121 to 124
 - system requirements, 12
 - uninstalling software, 164
 - user-defined paper size, 108

